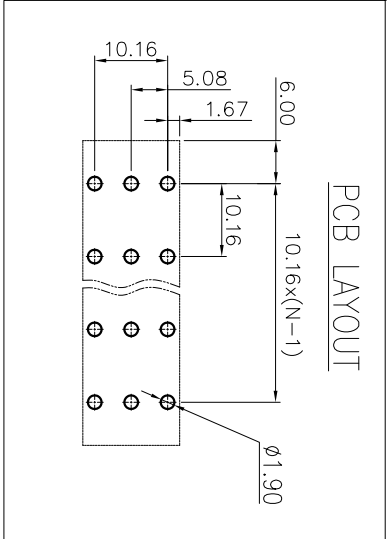


公差表/General tolerances(mm)	
0	>3
~	>6
~	>10
~	>18
3	~ 10
~	18
~	30
~	50
~	80
~	120
~	180
~	250
~	315
~	400
~	500
~	>500
~	0.1/10
~	±2°



2	Pin	Copper	Ag Plated
1	Housing	PA66	UL94V-0
ITEM	NAME OF PART	MATERIAL	NOTES
UL 标准/UL Standard:	B	C	D
额定电压/电流/Rated Voltage(V)/Current(A)	300/52	300/52	600/5
EC 标准/EC Standard:			
过压类别/Overvoltage Category/污染等级/Pollution Degree	III/3	/	/
额定电压/电流/Rated Voltage(V)/Current(A)	600/57	/	/
额定脉冲电压(KV)/Rate Impulse Voltage(KV)	6.0	/	/
螺丝扭矩/Torque Tightening(N·m/Lb·in)	/	/	/
线径范围(硬线和软线)/Wire Range(rigid and flexible)(mm² /AWG)	/	/	/
间距/Pitch(mm)/线数范围/Poles	10.16/N=N=02~08P	/	/
剥线长度/Stripping length(mm)	/	/	/
使用温度范围/Operating Temperature(°C)	-40~+105	/	/
符合环保要求/Conform to RoHS	Yes	/	/
标准颜色编号/Standard color number:	/	/	/
PANTONE / RAL	/	/	/

MATERIAL: SURFACE:

MAT NO.: /  
 STATUS: /  
 APPD: Li GL 2020.06.16  
 CHKD: Mao J 2020.06.16  
 DRFT: CMZ 2016.02.10

NAME: **DEGSON** 宁波高松电子有限公司  
 NINGBO DEGSON ELECTRICAL CO., LTD

DRAWING NO.: SEDGVC-10.16-001  
 TYPE: CUSTOMER DRAWING  
 SCALE: 1:1  
 SHEET 1/1

REV	ECN	DESCRIPTION	DRFT	DATE
1				