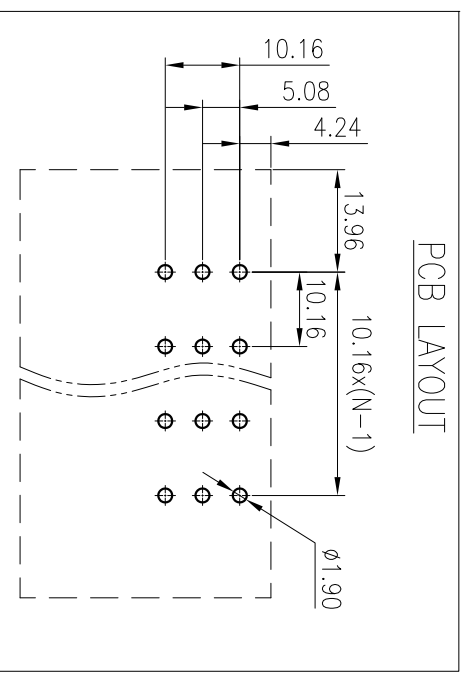
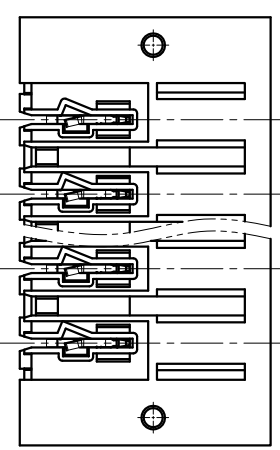
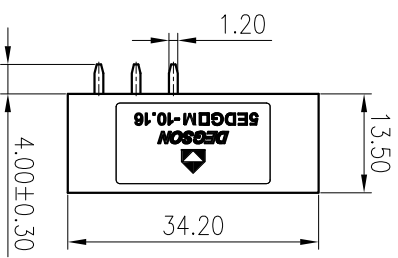
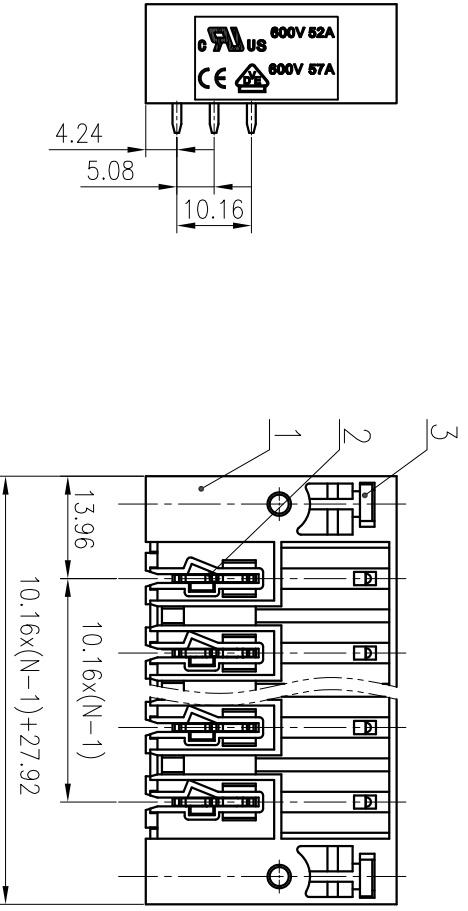


公差/General Tolerances(mm)		公差/General Tolerances(mm)	
0	>3	>6	>18
~	~	~	~
3	6	10	18
~	~	~	~
±0.12	±0.18	±0.22	±0.26
±0.31	±0.37	±0.57	±0.80
±1.05	±1.15	±1.60	±2.20
±2.50	±2.50		
0.1/10	±2		



PCB LAYOUT

UL 标准 / UL Standard:	B	C	D
额定电压/电流 / Rated Voltage(V)/Current(A)	300/52	300/52	600/5
IEC 标准 / IEC Standard:			
过压类别 / Overvoltage Category / 污染等级 / Pollution Degree	III/3	/	/
额定电压/电流 / Rated Voltage(V)/Current(A)	600/57	/	/
额定脉冲电压 / Rate Impulse Voltage(KV)	6.0	/	/
螺丝扭矩 / Torque Tightening(N·m/Lb·in)	/	/	/
线缆范围 (硬线和软线) / Wire Range(rigid and flexible)(mm ² /AWG)	/	/	/
间距 / Pitch(mm) / 线数范围 / Poles	10.16 / N=02~08P		
剥线长度 / Stripping length(mm)	/		
使用温度范围 / Operating temperature(°C)	-40~+105		
符合RoHS环保要求 / Conform to RoHS	Yes		
标准颜色编号 / Standard color number:	/		
PANTONE / RAL	/		

SURFACE:

DEGSON® 宁波高松电子有限公司
NINGBO DEGSON ELECTRICAL CO., LTD

3	Nut	SPCC	M3/Zn Plated				
2	Pin header	Copper	Ag Plated				
1	Housing	PA66	UL94V-0				
ITEM	NAME OF PART	MATERIAL	NOTES	REV	ECN	DESCRIPTION	DRAFT DATE

MATERIAL:	
MAT NO.:	/
STATUS:	/
APPD:	LI GL 2020.06.18
CHKD:	Moo J 2020.06.18
DRAFT:	CMZ 2016.10.29
NAME:	5EDGRM-10.16-XXP-1Y-00A(H)
DRAWING NO.:	5EDGRM-10.16-C01
TYPE:	CUSTOMER DRAWING
SCALE:	1:1
REV	T3
SHEET	1/1