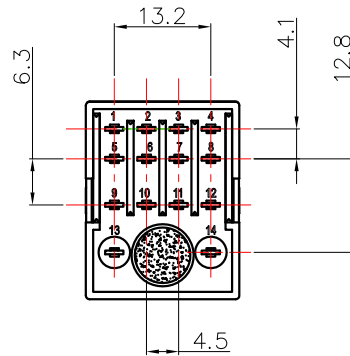
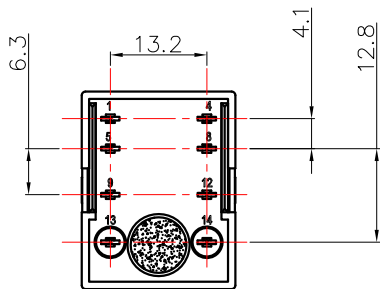
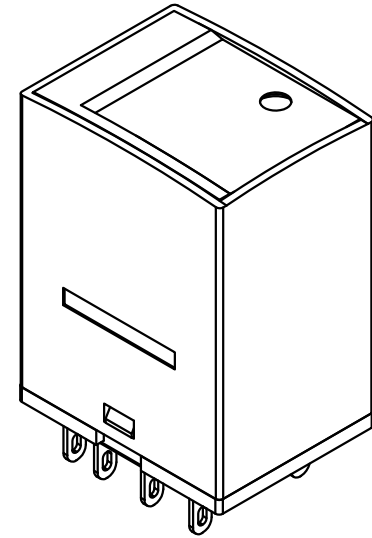
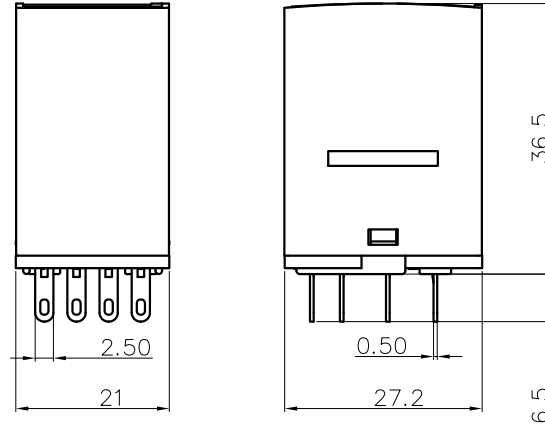
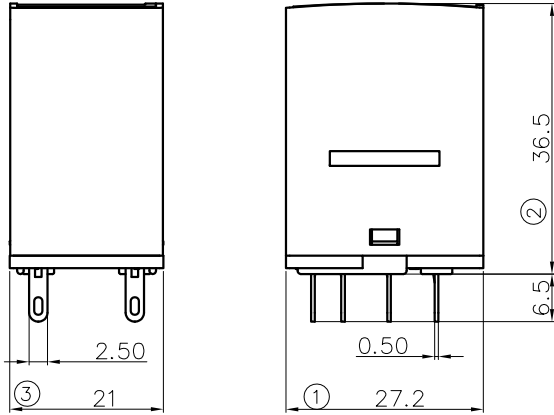


REVISION RECORD				
REV	ECN	DESCRIPTION	DRFT	DATE

DRPE-2C
DRPE-2CH

DRPE-4C



Specifications

Rated voltage	DC24V/AV220V
Rated current	2C: 5A 2CH: 10A 4C: 5A
Operate voltage	AC(50Hz)<80%Ue; DC<75%Ue
Release voltage	AC(50Hz)>30%Ue; DC>10%Ue
Coil power	DC: 0.9W, AC: 1.2VA
Dielectric voltage	
Between contacts	1000VAC, 1Min (1mA)
Between contacts (different pole)	1500VAC, 1Min (1mA)
Between contacts and coil	1500VAC, 1Min (1mA)
Temperature range	- 40°C ~ +70 °C

ITEM	NAME OF PART	MATERIAL	NOTES
DETACHED LISTS	PART NO.:		宁波高松电子有限公司 NINGBO DEGSON ELECTRICAL CO., LTD
	APPD:	NAME:	
	CHKD:	DRPE-XX-XX-XX-02AH	
	DRFT:	TITLE: CUSTOMER DRAWING	REV
THIRD ANGLE PROJECTION		DRAWING NO.: DRPE-E01	SHEET 1/1
		MM (INCH)	DO NOT SCALE DRAWING SCALE 1:1