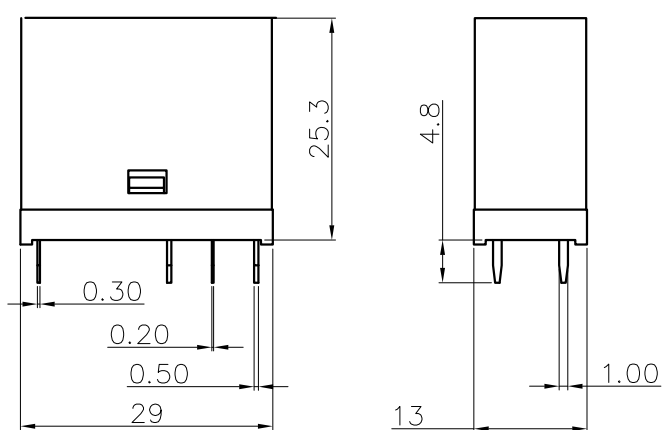
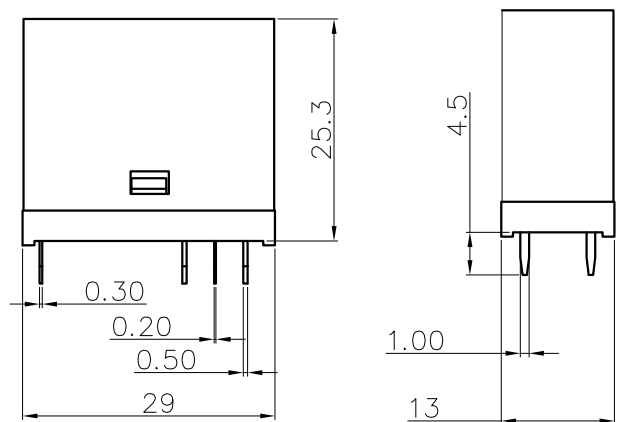
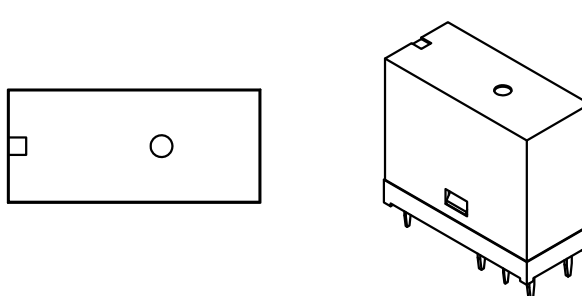
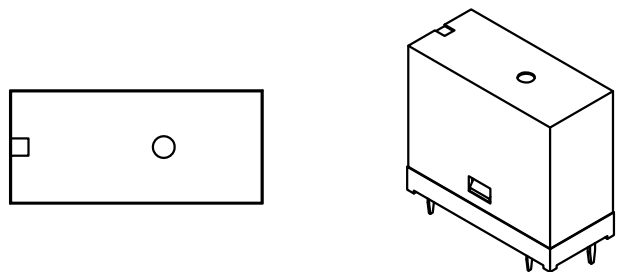


REVISION RECORD				
REV	ECN	DESCRIPTION	DRFT	DATE


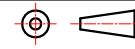
DRPC-1C

DRPC-1CH
DRPC-2C



Specifications

Rated voltage	DC24V/AV220V
Rated current	1C: 10A 1CH: 16A 2C: 5A
Operate voltage	AC(50Hz)<80%U _e ; DC<75%U _e
Release voltage	AC(50Hz)>30%U _e ; DC>10%U _e
Coil power	DC: 0.53W, AC: 1.0VA
Dielectric voltage	
Between contacts	1200VAC, 1Min (1mA)
Between contacts (different pole)	1200VAC, 1Min (1mA)
Between contacts and coil	5000VAC, 1Min (1mA)
Temperature range	- 25 °C ~ +55 °C

ITEM	NAME OF PART	MATERIAL	NOTES
PART NO.:	 宁波高松电子有限公司 NINGBO DEGSON ELECTRICAL CO., LTD		
APPD:	NAME: DRPC-XX-XX-02AH		
CHKD:			
DRFT:	TITLE: CUSTOMER DRAWING	REV	
 THIRD ANGLE PROJECTION	DRAWING NO.:	DRPC-E01	SHEET 1/1
	MM (INCH)	DO NOT SCALE DRAWING	SCALE 1:1