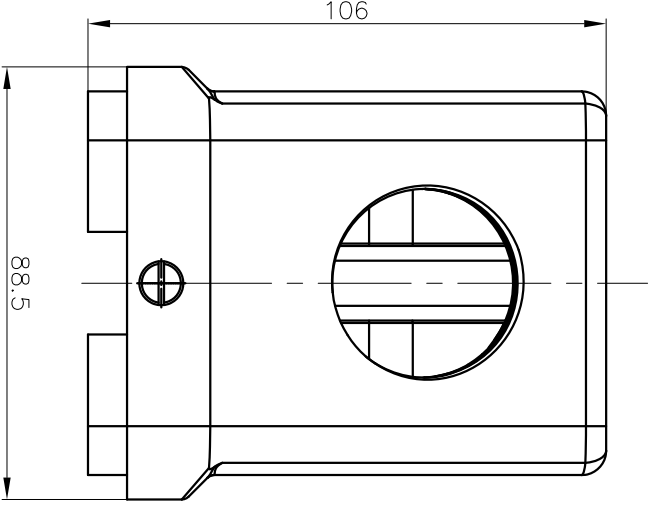
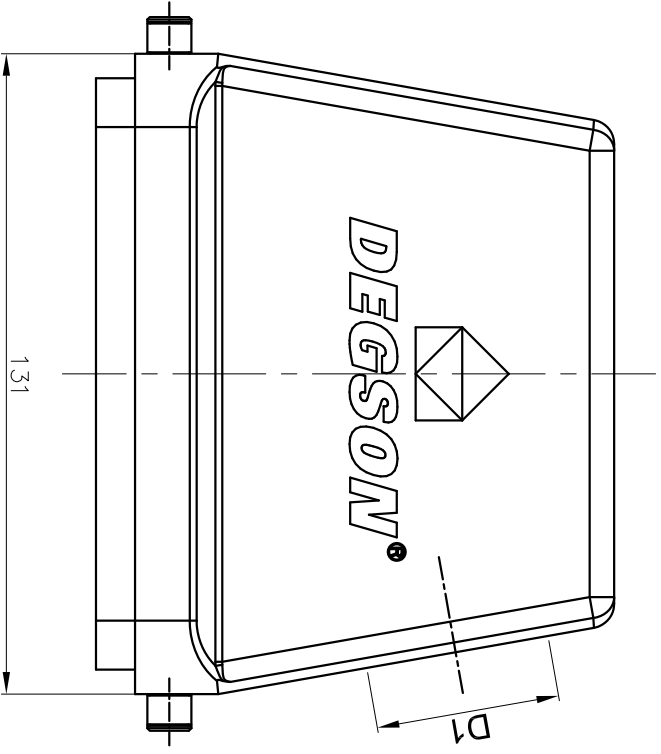
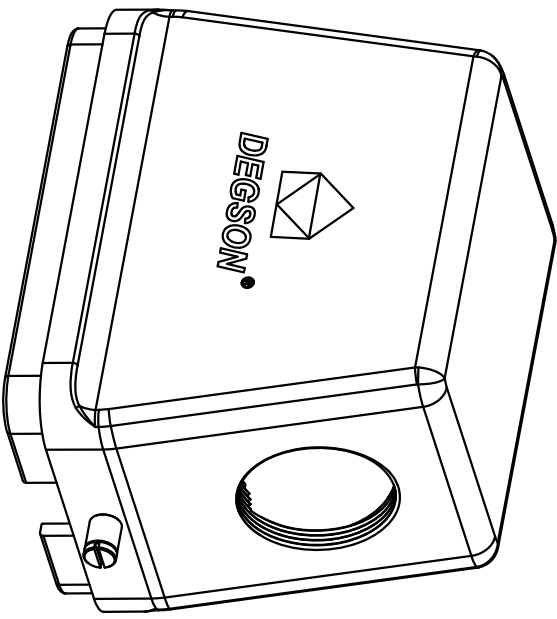


REVISION RECORD

REV	ECN	DESCRIPTION	DRFT	DATE

TYPE	Thread(D1)	Selection
D48B-SF-2g-M32	M32	
D48B-SF-2g-M40	M40	
D48B-SF-2g-M50	M50	
D48B-SF-2g-PG29	PG29	
D48B-SF-2g-PG36	PG36	
D48B-SF-2g-PG42	PG42	



Hoods Feature

- 01. Material: Aluminium die-cast
- 02. Surface: Powder-coated
- 03. Color: grey (RAL 7037)
- 04. Limiting temperatures: -40°C ~ +125°C
- 05. Flammability acc to UL94: V0
- 06. Degree of protection acc. to EN60529 for coupled connector: IP65
- 07. Rohs Compliance

DETACHED LISTS	
PART NO.:	/
APPR:	
CHKD:	
DRFT:	Mr. Yqng 2017.03.13
NAME:	DEGSON NINGBO DEGSON ELECTRICAL CO., LTD 宁波高松电子有限公司
TITLE:	CUSTOMER DRAWING
DRAWING NO.:	/
REV	DO-1
SHEET	1/1
SCALE	1:1.5



THIRD ANGLE PROJECTION

A 8 7 6 5 4 3 2 1