

REVISION RECORD				
REV	ECN	DESCRIPTION	DRFT	DATE

Technical characteristics:
 Specifications
 DIN EN 60 664-1
 DIN EN 61 984

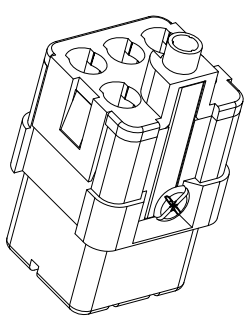
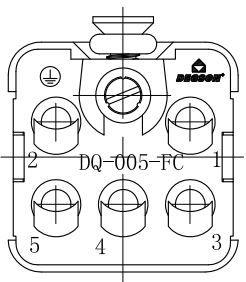
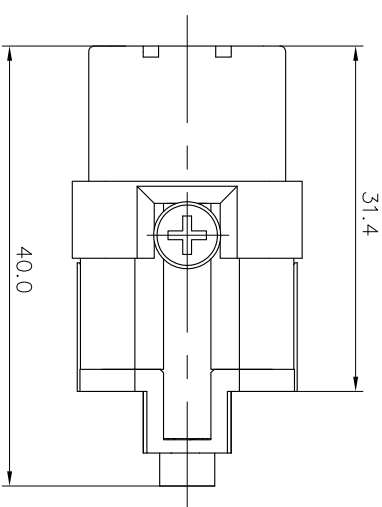
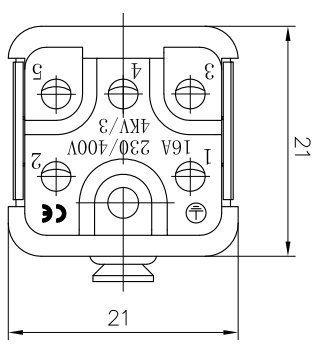
Inserts

- 01. Number of contacts :5+PE
- 02. Rated Current :16A
- 03. Rated Voltage conductor-ground:230V
- 04. Rated Voltage conductor-conductor:400V
- 05. Pollution degree :3
- 06. Rated impulse voltage :4kv¹⁰
- 07. Insulation resistance :≥10¹⁰Ω
- 08. Material:Polycarbonate
- 09. Rated voltage acc. to UL/CSA:600V
- 10. Limiting temperatures :-40℃~+125℃
- 11. Flammability acc. to UL94:V0
- 12. Mechanical working life (mating cycles) :≥500

Contacts

- 01. Material:Copper alloy
- 02. Surface:hard-Silver plated hard-Gold plated
- 03. Contact resistance :≤1mΩ
- 04. Terminal :Crimp terminal
- 05. Wire gauge :0.14-2.5mm² (AWG 26-14)
- 06. Stripping length :7.5mm
- 07. Rohs Compliance

Note:Crimp contact pins should order separately



DETACHED LISTS			
PART NO.:	/	NAME:	DEGSON ® NINGBO DEGSON ELECTRICAL CO.,LTD 宁波高松电子有限公司
APPD:		TITLE:	CUSTOMER DRAWING
CHKD:		REV	DO-1
DRFT:	Mr. Yang 2016.09.25	SHEET	1/1
THIRD ANGLE PROJECTION		DO NOT SCALE DRAWING	SCALE 1.5:1

A 8 7 6 5 4 3 2 1