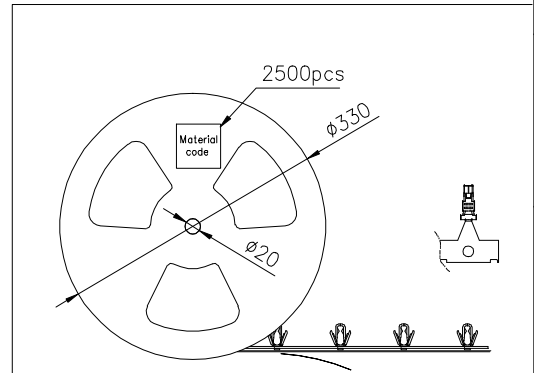
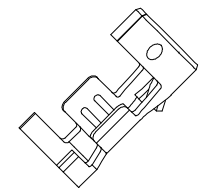
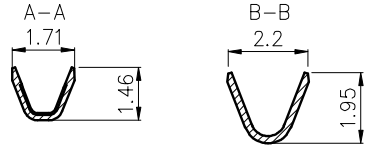
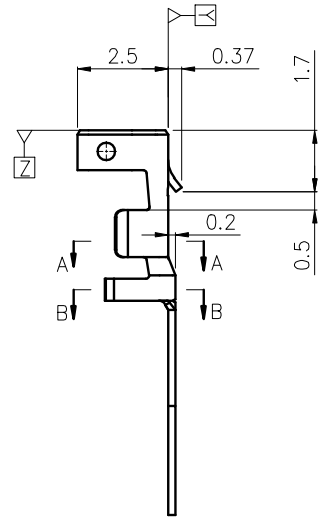
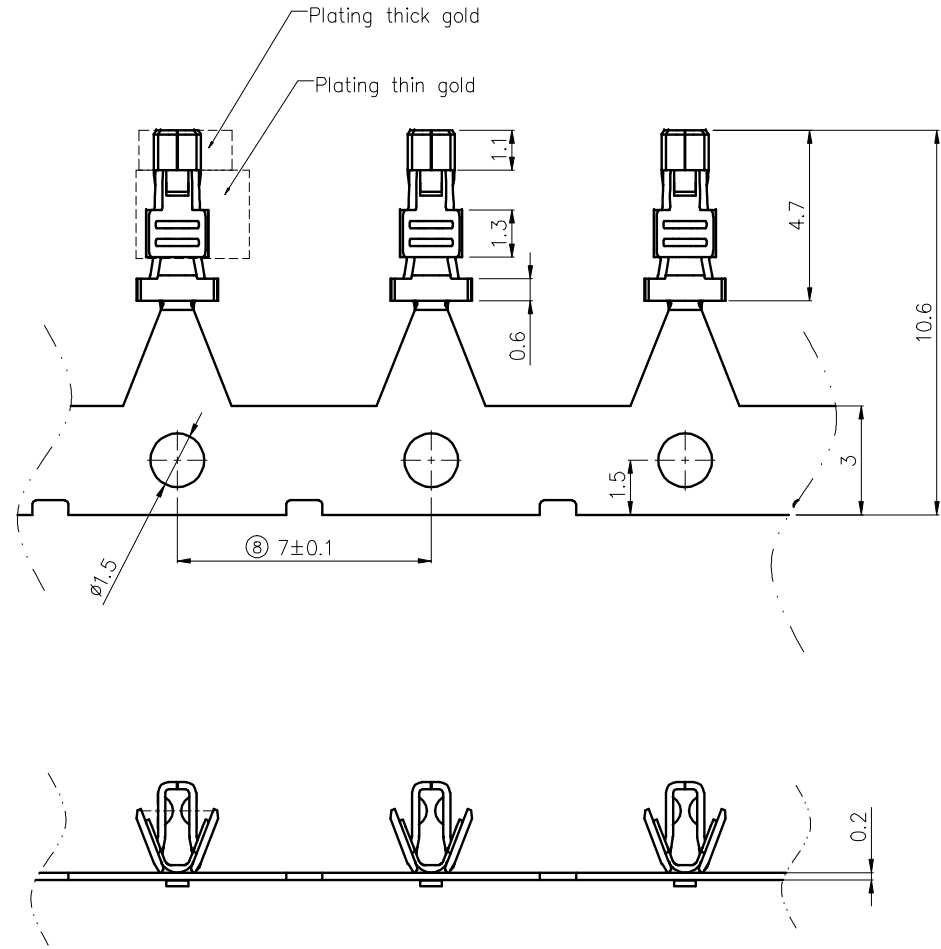


REVISION RECORD				
REV	ECN	DESCRIPTION	DRFT	DATE



- NOTES:**
1. Material: Copper alloy ,T=0.2mm
 2. Surface treatment:nickel plated all over gold plated at contact area
 3. xxxx Pieces of contact are supplied in reel
 4. Wire size: AWG#26~#22(0.16mm²~0.33mm²)
 5. Insulation outer diameter:φ1.0~φ1.20
 6. Tolerance: .x ±0.15
.xx ±0.1
∠ ± 1'

DETACHED LISTS	PART NO.: 24030000012		宁波高松电子有限公司 NINGBO DEGSON ELECTRICAL CO., LTD	
	APPD:		NAME:	
	CHKD:		DGFA-02A(H)	
	DRFT: GQ 2019.04.02		TITLE: CUSTOMER DRAWING	REV: DO-1
 THIRD ANGLE PROJECTION		DRAWING NO.: 24000002	SHEET: 1/1	
		 MM (INCH)	DO NOT SCALE DRAWING	SCALE: 1:1