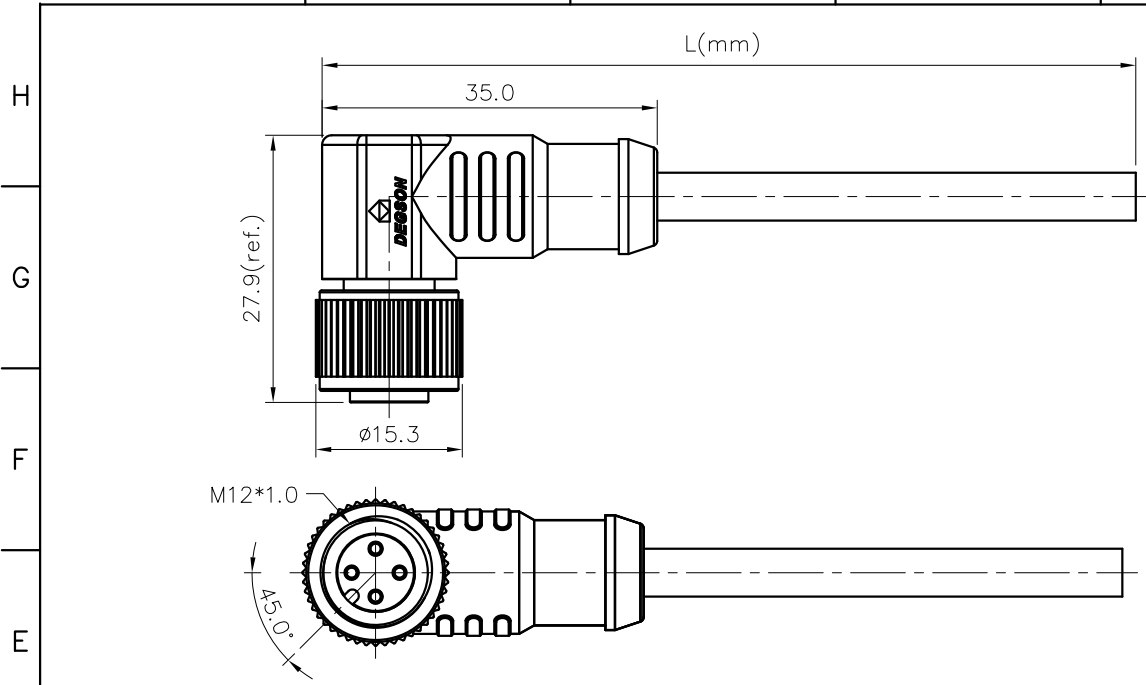


REVISION RECORD				
REV	ECN	DESCRIPTION	DRFT	DATE



- NOTES:
- Rated voltage/current : 10pin A: 30V / 1.5A  
12pin A: 30V / 1.5A  
5pin B: 60V / 4A  
4pin D: 250V / 4A
  - Withstanding voltage : 10,12pin: AC500V/1Min  
5pin B: AC1120V/1Min  
4pin D: AC1500V/1Min
  - Levels of protection: IP68
  - Cable specifications :  
10pin A: 10C\*26AWG/0.14mm<sup>2</sup>,Shield,UL2517/UL20549  
12pin A: 12C\*26AWG/0.14mm<sup>2</sup>,Shield,UL2517/UL20549  
5pin B: 5C\*22AWG/0.34mm<sup>2</sup>,Shield,UL2517/UL20549  
4pin D: 4C\*22AWG/0.34mm<sup>2</sup>,Shield,CAT 5E
  - Wire connection mode: soldering
  - Operating temperature: PVC Cable: -25°C~+85°C  
PUR Cable: -25°C~+80°C
  - RoHS Compliance
  - Tolerance : ±0.5mm

10pin A Coding	12pin A Coding	5pin B Coding	4pin D Coding
Shield	Braid	Shield	Braid
10	12	5	4
9	11	5	4
8	10	5	4
7	9	5	4
6	8	5	4
5	7	5	4
4	6	5	4
3	5	5	4
2	4	5	4
1	3	5	4
Pin	Wire Color	Pin	Wire Color
Pin Out	Pin Out	Pin Out	Pin Out

PMSH-M12X-XXP-FF-SR8XXX-00A(H)

Coding: A,B,D

Pin number: 03,04, 05,06,08, 10,12

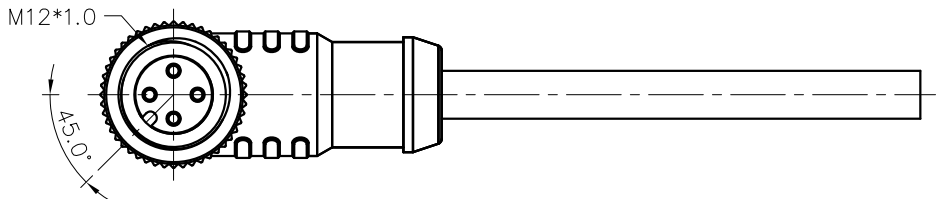
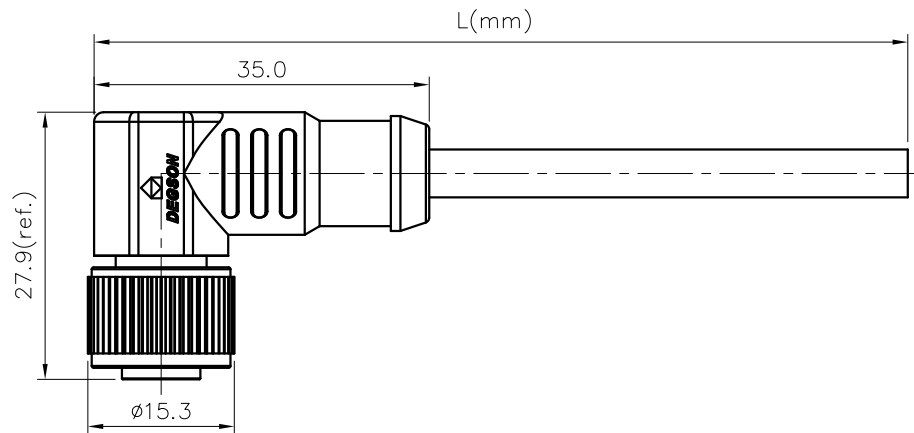
Cable length L:  
01: 1M  
...  
99: 99M  
The line grows business trip:  
01~05m: ± 50mm  
06~10m: ± 100mm  
11~30m: ± 200mm  
31~99m: ± 500mm

Cable jacket:  
A: PVC UL2517;  
B: PUR UL20549  
C: PVC UL2517 For UL Approve  
D: PUR UL20549 For UL Approve  
E: CAT 5E For D-code

DETACHED LISTS	PART NO.: PMSH12XXXPF8SR8XXX00AH	宁波高松电子有限公司 NINGBO DEGSON ELECTRICAL CO., LTD		
	APPD:	NAME: PMSH-M12X-XXP-FF-SR8XXX-00A(H)		
	CHKD:	TITLE: CUSTOMER DRAWING		
	DRFT: SQ 2019.08.31	REV: D0-2	SHEET: 2/2	
		DRAWING NO.: XXXXXXXX-XX-CXX	SCALE: 1:1	DO NOT SCALE DRAWING

REVISION RECORD

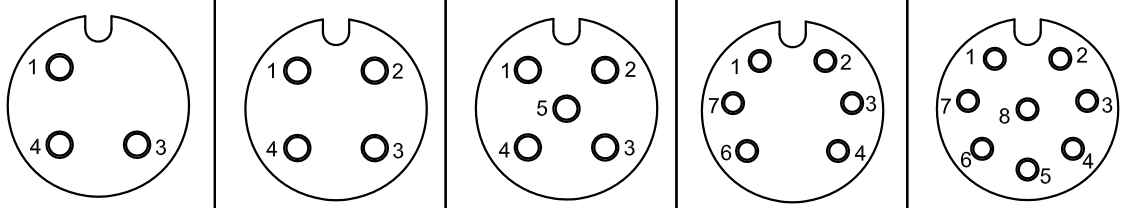
REV	ECN	DESCRIPTION	DRFT	DATE
-----	-----	-------------	------	------



NOTES:

- Rated voltage/current : 3pin A: 250V / 4A  
4pin A: 250V / 4A  
5pin A: 60V / 4A  
6pin A: 30V / 2A  
8pin A: 30V / 2A
- Withstanding voltage : 3,4pin: AC1500V/1Min  
5pin: AC1120V/1Min  
6,8pin: AC500V/1Min
- Levels of protection: IP68
- Cable specifications :  
3pin A: 3C\*22AWG/0.34mm<sup>2</sup>,Shield,UL2517/UL20549  
4pin A: 4C\*22AWG/0.34mm<sup>2</sup>,Shield,UL2517/UL20549  
5pin A: 5C\*22AWG/0.34mm<sup>2</sup>,Shield,UL2517/UL20549  
6pin A: 6C\*24AWG/0.25mm<sup>2</sup>,Shield,UL2517/UL20549  
8pin A: 8C\*24AWG/0.25mm<sup>2</sup>,Shield,UL2517/UL20549
- Wire connection mode: soldering/crimping
- Operating temperature: PVC Cable: -25°C~+85°C  
PUR Cable: -25°C~+80°C
- RoHS Compliance
- Tolerance : ±0.5mm

3pin A Coding	4pin A Coding	5pin A Coding	6pin A Coding	8pin A Coding
---------------	---------------	---------------	---------------	---------------



Pin Assignments Front View

PMSH-M12X-XXP-FF-SR8XXX-00A(H)

Coding: A,B,D

Pin number: 03,04, 05,06,08, 10,12

Cable length L: 01: 1M ... 99: 99M  
The line grows business trip:  
01~05m: ± 50mm  
06~10m: ± 100mm  
11~30m: ± 200mm  
31~99m: ± 500mm

Cable jacket:  
A: PVC UL2517;  
B: PUR UL20549  
C: PVC UL2517 For UL Approve  
D: PUR UL20549 For UL Approve  
E: CAT 5E For D-code

						Shield	Braid	8	Red
								7	Blue
								6	Pink
								5	Grey
Shield	Braid	Shield	Braid	5	Grey			4	Yellow
4	Black	4	Black	4	Black	4	Yellow	3	Green
3	Blue	3	Blue	3	Blue	3	Green	2	Brown
1	Brown	2	White	2	White	2	Brown	1	White
Pin	Wire Color	Pin	Wire Color	Pin	Wire Color	Pin	Wire Color	Pin	Wire Color
	Pin Out		Pin Out		Pin Out		Pin Out		Pin Out

DETACHED LISTS	PART NO.: PMSHM12XXXPFSSR8XXX00AH	宁波高松电子有限公司 NINGBO DEGSON ELECTRICAL CO., LTD		
	APPD:	NAME: PMSH-M12X-XXP-FF-SR8XXX-00A(H)		
	CHKD:	TITLE: CUSTOMER DRAWING		
	DRFT: SQ 2019.08.31	REV: D0-2	SHEET: 1/2	SCALE: 1:1
		DRAWING NO.: XXXXXXXX-XX-CXX DO NOT SCALE DRAWING		