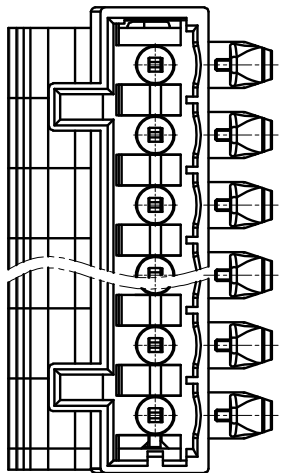
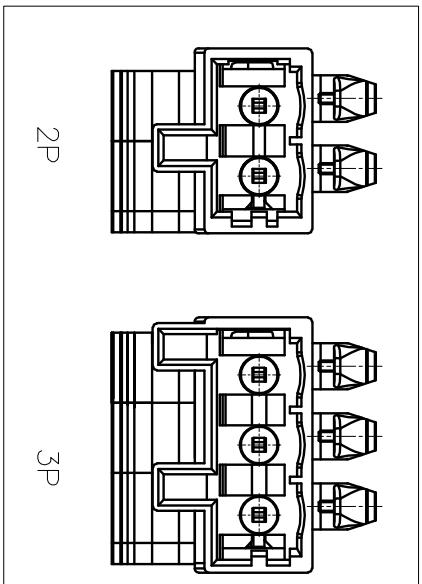


公差/General Tolerances(mm)	0	>3	>6	>10	>18	>30	>50	>80	>120	>180	>250	>315	>400	>500	0.1/1/10
±0.12	±0.18	±0.22	±0.26	±0.31	±0.37	±0.57	±0.80	±0.93	±1.05	±1.15	±1.60	±2.20	±2.50	±Z	±Z

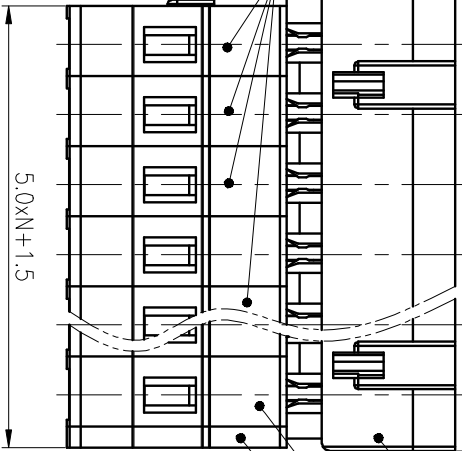
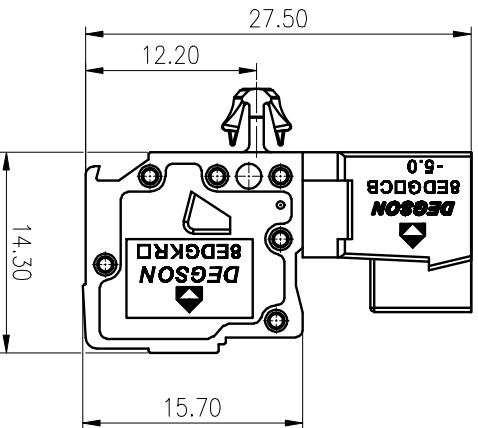


5.0xN+3.2

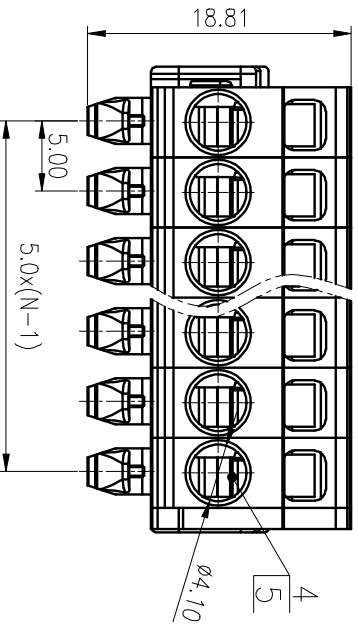
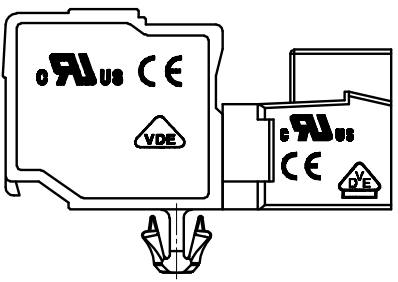


2P

3P



5.0xN+1.5



6	Housing3	PA66	UL94V-0
5	Spring	Stainless steel	/
4	Pin	Copper	Sn plated
3	Cover	PA66	UL94V-0
2	Housing2	PA66	UL94V-0
1	Housing1	PA66	UL94V-0

ITEM	NAME OF PART	MATERIAL	NOTES
UL 标准/UL Standard:	B	C	D
额定电压/电涌/Rated Voltage(V)/Current(A)	300/15	/	300/70
EC 标准/IEC Standard:			
过压类别/Overvoltage Category/污染等	/	III/2	/
绝缘/Insulation Degree	/	320/20	/
额定电压/电涌/Rated Voltage(V)/Current(A)	/	4	/
额定冲击电压/Rate Impulse Voltage(KV)	0.2~2.5/22~14		
线径范围(硬线和软线)/Wire Range(rigid and flexible)(mm ² /AWG)	5.00/N=02~24P		
间距/Pitch(mm)/线径范围/Poles	-40~+105		
使用温度范围/Operating Temperature(°C)	Yes		
符合RoHS要求/Conform to RoHS	7534u		
标准颜色编号/Standard color number:			
PANTONE / RAL			

SURFACE:

7534u

MATERIAL:

MAT NO.: /

STATUS: Valid

APPD:

CHKD:

DRT: Y/NDK 2019.07.08

SIZE: A4

TYPE: CUSTOMER DRAWING

DEGSON® 宁波高松电子有限公司
NINGBO DEGSON ELECTRICAL CO., LTD

NAME: 8EDGKRD-5.0-XXP-11-01A(H)

DRAWING NO.: 8EDGKRD-5.0-C02

SCALE: 2:1

SHEET 1/1

