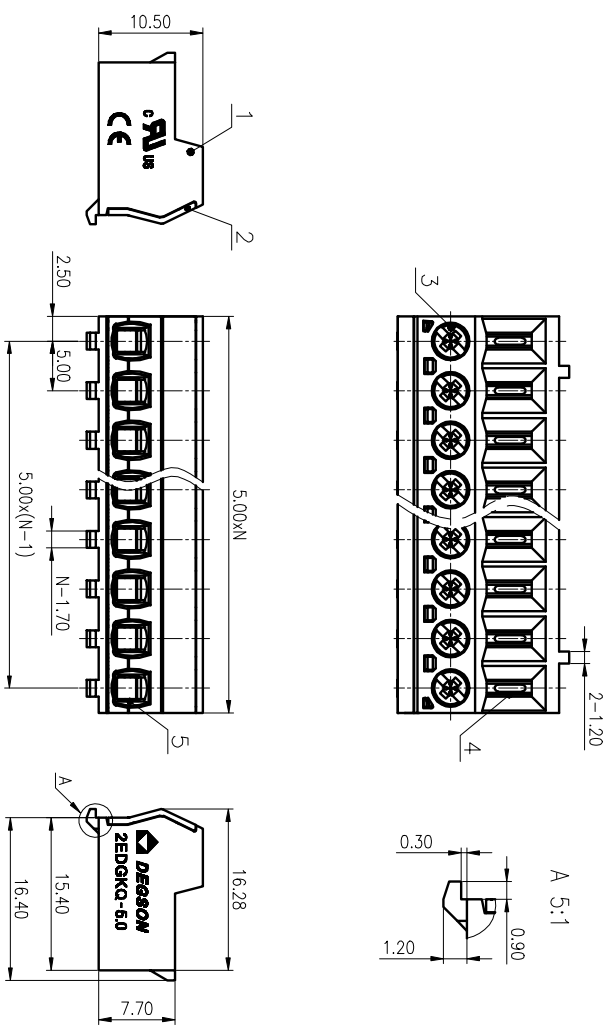
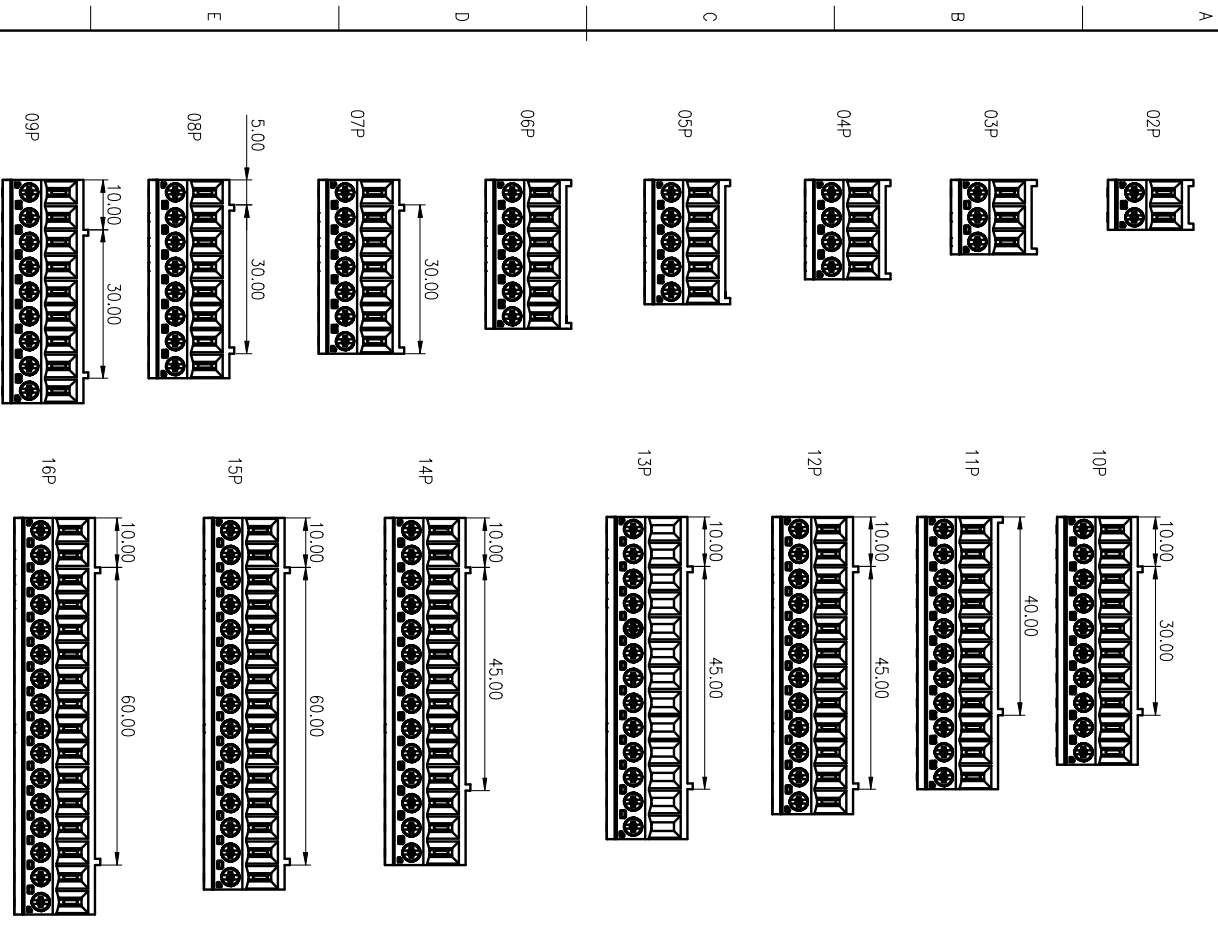


规格/Dimension (mm)		1		2		3		4		5		6		7		8	
0	>3	>8	>10	>18	>30	>60	>120	>180	>260	>315	>400	>500	>630	>800	>1000	>1250	0.1/1.0
3	6	10	18	30	50	80	120	180	260	315	400	500	630	800	1000	1250	±2
H0.12/H0.18/H0.22/H0.26/H0.31/H0.37/H0.45/H0.57/H0.80/H0.93/H1.08/H1.19/H1.60/H2.20/H2.50																	



ITEM	NAME OF PART	MATERIAL	NOTES
1	Housing	PAGE	UL94V-0
2	Cover	PAGE	UL94V-0
3	Screw	Steel	W/Zn Plated
4	Clamp	Copper alloy	Sn Plated
5	Cage	Copper alloy	W3/Ni Plated

II 标准/UL Standard:		B	C	D
额定电压/电涌/Rated Voltage(V)/Current(A)	300/10	/	/	/
EC 标准/IEC Standard:				
过压类别/Overvoltage Category/污秽等级/Pollution Degree	III/3	III/2	II/2	/
额定电压/电涌/Rated Voltage(V)/Current(A)	/	250/10	/	/
额定脉冲电压(RV)/Rate Impulse Voltage(KV)	/	2.5	/	/
拧紧扭矩/Torque Tightening(N·m)	M3, 0.5	/	/	/
弹性范围(硬线/软线)/Wire Range(rigid and flexible)(mm²/AWG)	0.2~1.5/28~14	/	/	/
间距/Pitch(mm)/线数范围/Poles	5.0/N=N=02~16P	/	/	/
剥线长度/Stripping length(mm)	6~7	/	/	/
使用温度范围/Operating Temperature(°C)	-40~+105	/	/	/
符合RoHS环保要求/Conform to RoHS	Yes	/	/	/

MATERIAL: / SURFACE: /

NINGBO DESGON ELECTRICAL CO., LTD

2EDGKC-5.0-XXP-1Y-00A(H)

REV	ECN	DESCRIPTION	DRAFT	DATE
1				

REV	DATE	BY	CHKD	APPD
1/1	2018.11.28	Joy.z	Gang/Zh	Lan/Ch

SCALE: 2:1 SHEET 1/1