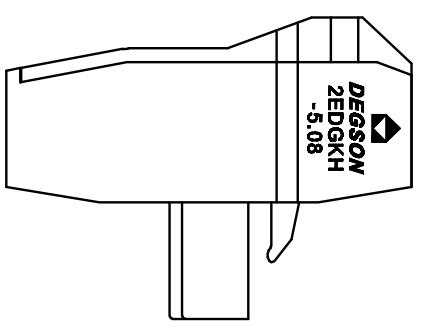
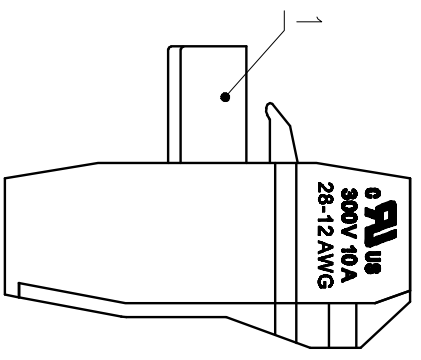
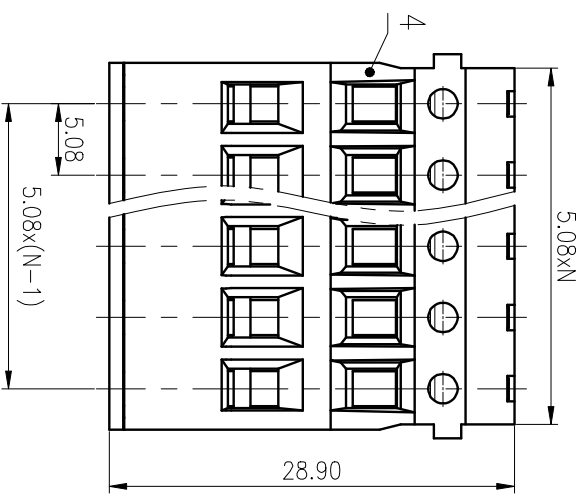
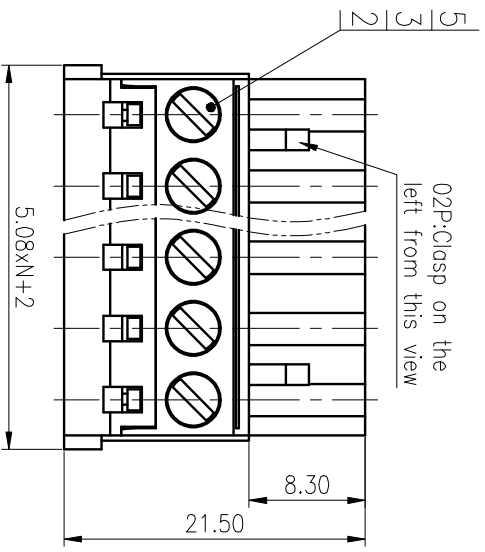


公差等级/General	Tolerances(mm)										公差等级/General		
0	>.3	>.6	>.10	>.18	>.30	>.50	>.80	>.120	>.180	>.250	>.315	>.400	0.1/10 ±Z
~	~	~	~	~	~	~	~	~	~	~	~	~	
3	6	10	18	30	50	80	120	180	250	315	400	500	±Z
±0.12	±0.18	±0.22	±0.26	±0.31	±0.37	±0.57	±0.80	±0.93	±1.05	±1.15	±1.60	±2.20	±2.50



MATERIAL:	/			
MAT NO.:	/			
STATUS:	/			
APPD:	LanQHH 2020.06.08			
CHKD:	GoogYzh 2020.06.08			
DRT:	LTY 2020.06.08			
SIZE:	A4			
TYPE:	CUSTOMER DRAWING			
SCALE:	2:1			
REV	ECN	DESCRIPTION	DRT	DATE
1	2	3	4	5
1/1	T0	10002077	2EDGKH-5.08-XXP-1Y-00A(H)	NINGBO DEGSON ELECTRICAL CO., LTD

5	Cage	Steel	Zn Plated
4	Cover	PA66	UL94V-0
3	Screw	Steel	M2.5/Zn Plated
2	Clamp	Copper alloy	Sn Plated
1	Housing	PA66	UL94V-0
ITEM	NAME OF PART	MATERIAL	NOTES
UL 标准/UL Standard:	B	C	D
额定电压/电涌/Rated Voltage(V)/Current(A)	300/10	/	300/10
IEC 标准/IEC Standard:			
过压类别/Overvoltage Category/污染等级/Pollution Degree	III/3	III/2	II/2
额定电压/电涌/Rated Voltage(V)/Current(A)	/	250/15	/
额定脉冲电压(kV)/Rate Impulse Voltage(kV)	/	4	/
额定扭矩/Torque Tightening(N·m/Lbin)	M2.5: 0.4/3.54		
线径范围(硬线和软线)/Wire Range(rigid and flexible)(mm ² /AWG)	2.5/28~12		
间距/Pitch(mm)/线数范围/Poles	5.08/N=2~12P		
剥线长度/Stripping length(mm)	7-8		
使用温度范围/Operating temperature(°C)	-40~+105		
符合RoHS要求/Conform to RoHS	Yes		

