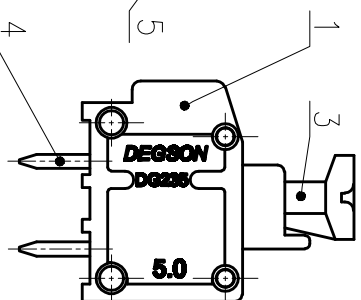
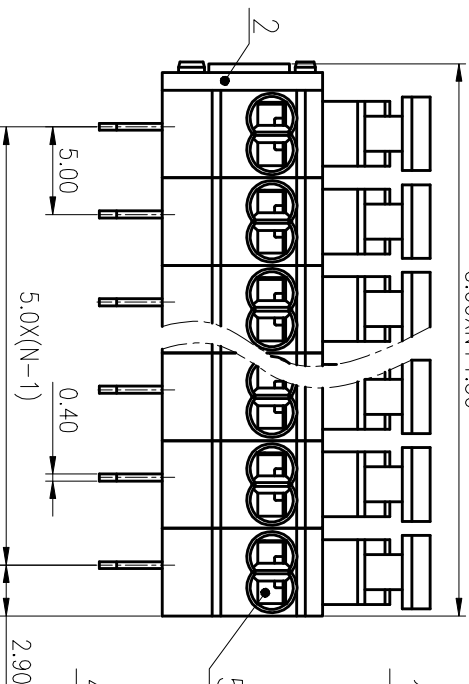
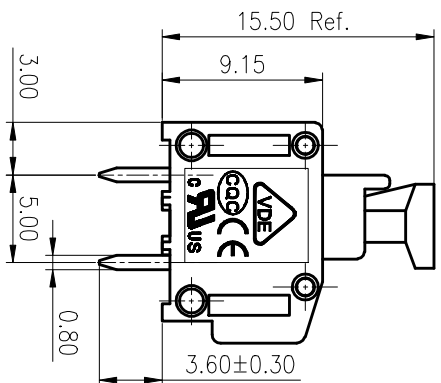


PCB LAYOUT

尺寸/公差 (mm)	公差 (mm)
0	>.3
3	~ .6
6	~ 1.0
10	~ 1.8
18	~ 3.0
30	~ 5.0
50	~ 8.0
80	~ 12.0
120	~ 18.0
180	~ 28.0
250	~ 31.5
315	~ 40.0
400	~ 50.0
500	~ 62.5
± 0.12	± 0.18
± 0.22	± 0.26
± 0.31	± 0.37
± 0.57	± 0.80
± 1.05	± 1.15
± 1.60	± 2.20
± 2.50	± 2.50
0.1/1.0	± 2



ITEM	NAME OF PART	MATERIAL	NOTES
1	Housing	PA66	UL94V-0
2	Cover	PA66	UL94V-0
3	Button	PA66	UL94V-0
4	Pin header	Copper alloy	Sn Plated
5	Spring	Stainless steel	/

REV	ECN	DESCRIPTION	DRT	DATE
1				

MATERIAL: /	SURFACE: /
MAT NO.: /	
STATUS: /	
APPD: LiGL 202.06.18	NAME: DEGSON® NINGBO DEGSON ELECTRICAL CO., LTD
CHKD: Mek 2020.06.18	DG235T-5.0-XP-1Y-00A(H)
DRT: MSh 2020.06.18	DRAWING NO.: DG235T-5.0-C02
SIZE: A4	TYPE: CUSTOMER DRAWING
SCALE: 2.5:1	SCALE: 2.5:1 SHEET
	REV T0
	1/1

UL 标准 / UL Standard:	B	C	D
额定电压/电涌 / Rated Voltage(V)/Current(A)	300/5	150/5	300/5
EC 标准 / EC Standard:			
过压类别 / Overvoltage Category / 污染等级 / Pollution Degree	/	III/2	/
额定电压/电涌 / Rated Voltage(V)/Current(A)	/	/	/
工频耐压 / Withstanding Voltage(V/1Min)	/	AC2000	/
线径范围 (裸线/绞线) / Wire Range (rigid and flexible) (mm ² / AWG)	/	1.5/20~18	/
间距 / Pitch (mm) / 线径范围 / Poles	5.0/N=02~24P		
剥线长度 / Stripping length (mm)	10		
使用温度范围 / Operating temperature (°C)	-40~+105		
符合 RoHS 要求 / Conform to RoHS	Yes		
标准颜色编号 / Standard color number:			
PANTONE / RAL	/		