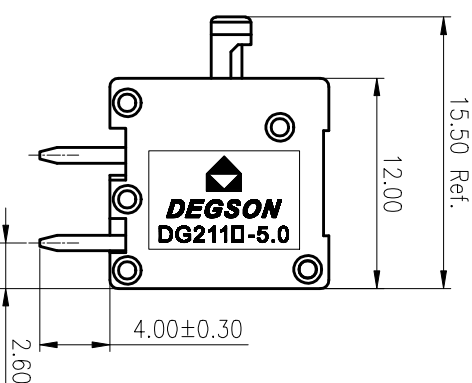
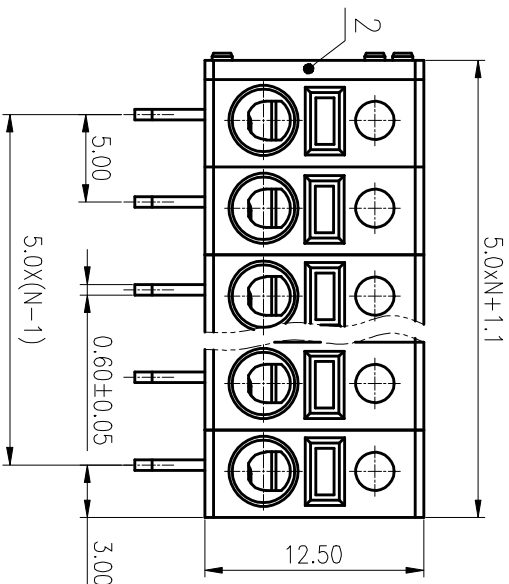
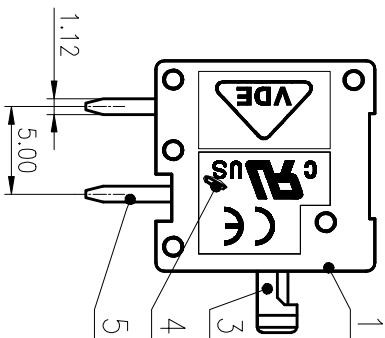
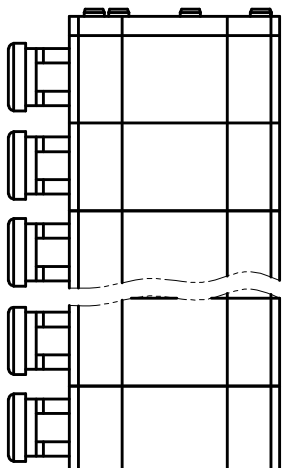
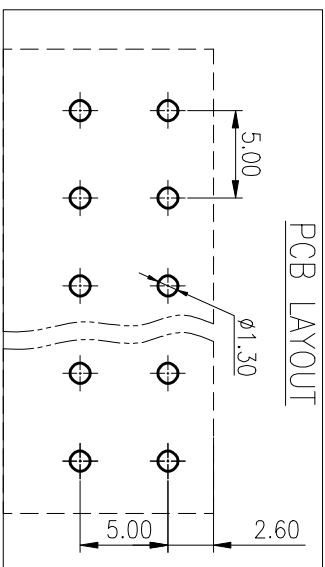


公差等级/General Tolerances(mm)		0	>3	>6	>10	>18	>30	>50	>80	>120	>180	>315	>400	>500	0.1/10
~	~	~	~	~	~	~	~	~	~	~	~	~	~	~	±Z
±0.12	±0.18	±0.22	±0.26	±0.31	±0.37	±0.57	±0.80	±0.93	±1.05	±1.15	±1.60	±2.20	±2.50		



ITEM	NAME OF PART	MATERIAL	NOTES
1	Housing	PA66	UL94V-0
2	Cover	PA66	UL94V-0
3	Button	POM	UL94HB
4	Spring	Stainless steel	
5	Pin header	Copper Alloy	Sn plated



REV	ECN	DESCRIPTION	DRAFT	DATE
1				

MATERIAL:	/	SURFACE:	/
MAT NO.:	/	NINGBO DEGSON ELECTRICAL CO., LTD	
STATUS:	/	DRAWING NO.: DG211R-5.0-C01	
APPD: LIGL	2020.05.27	NAME: DG211R-5.0-XXP-1Y-00A(H)	
CHKD: Mek	2020.05.27	TYPE: CUSTOMER DRAWING	
DRAFT: LuoXM	2020.05.27	SCALE: 2.5:1 SHEET	
SIZE: A4	(mm)	REV T1	
	(inch)	1/1	

UL 标准/UL Standard:	B	C	D
额定电压/电涌/Rated Voltage(V)/Current(A)	300/8	/	/
IEC 标准/IEC Standard:			
IEC 类别/Overvoltage Category/污染等级/Pollution Degree	III/3	III/2	II/2
额定电压/电涌/Rated Voltage(V)/Current(A)	/	250/15	/
绝缘电压/Withstanding Voltage(V)/Min	/	AC2000	/
线芯范围(硬线和软线)/Wire Range(rigid and flexible)(mm ² /AWG)	0.2~1.5/26~16		
间距/Pitch(mm)/线数范围/Poles	5.0/N=02~24P		
剥线长度/Stripping length(mm)	8-9		
使用温度范围/Operating temperature(°C)	-40~+105		
符合RoHS环保要求/Conform to RoHS	Yes		