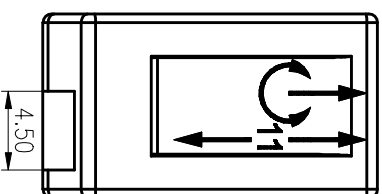
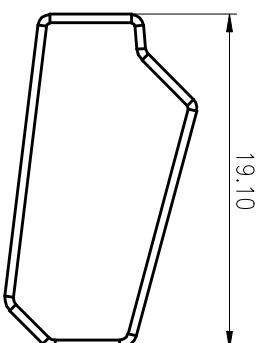
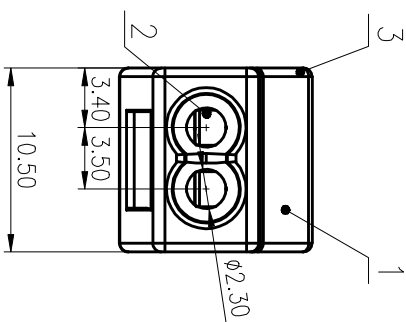
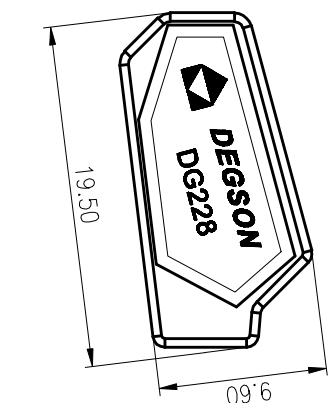
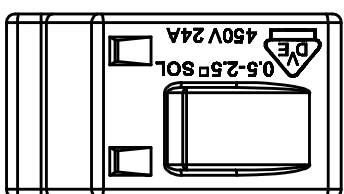


公差等级/General Tolerances(mm)		公差等级/General Tolerances(mm)										公差等级/General Tolerances(mm)		
0	>3	>6	>10	>18	>30	>50	>80	>120	>180	>250	>315	>400	>500	0.1/10
~	~	~	~	~	~	~	~	~	~	~	~	~	~	±Z
±0.12	±0.18	±0.22	±0.26	±0.31	±0.37	±0.57	±0.80	±0.93	±1.05	±1.15	±1.60	±2.20	±2.50	±Z



3	Cover	PC	UL94V-2
2	Metals	Steel	Sn plated
1	Housing	PC	UL94V-2
ITEM	NAME OF PART	MATERIAL	NOTES
UL 标准/UL Standard:	B	C	D
额定电压/电涌/Rated Voltage(V)/Current(A)	600/15	/	/
IEC 标准/IEC Standard:	/	/	/
IEC 类别/Overvoltage Category/污染等级/Pollution Degree	III/3	III/2	II/2
额定电压/电涌/Rated Voltage(V)/Current(A)	/	450/24	/
工频耐压/Withstanding Voltage(V/Min)	/	AC2500	/
线径范围(硬线和软线)/Wire Range(rigid and flexible)(mm²/AWG)	0.5~2.5/22~14		
间距/Pitch(mm)/线数范围/Poles	3.5/02P		
铜线长度/Stripping length(mm)	10~13		
使用温度范围/Operating temperature(°C)	-40~+85		
符合RoHS环保要求/Conform to RoHS	Yes		

MATERIAL:	/
MAT NO.:	/
STATUS:	/
APPD: LIGL	2020.06.03
CHKD: Mek	2020.06.03
DRAFT: LuoXM	2020.06.03
SIZE: A4	mm / inch
TYPE: CUSTOMER DRAWING	SCALE: 2.5:1 SHEET
NAME:	DG228-3.5-02P-1Y-00A(H)
DRAWING NO.:	DG228-3.5-C02
REV	T2
1/1	

DEGSON® NINGBO DEGSON ELECTRICAL CO., LTD
宁波高松电子有限公司

DG228-3.5-02P-1Y-00A(H)

DRAWING NO.: DG228-3.5-C02

REV ECN DESCRIPTION DRAFT DATE

SIZE: A4 mm / inch TYPE: CUSTOMER DRAWING SCALE: 2.5:1 SHEET

