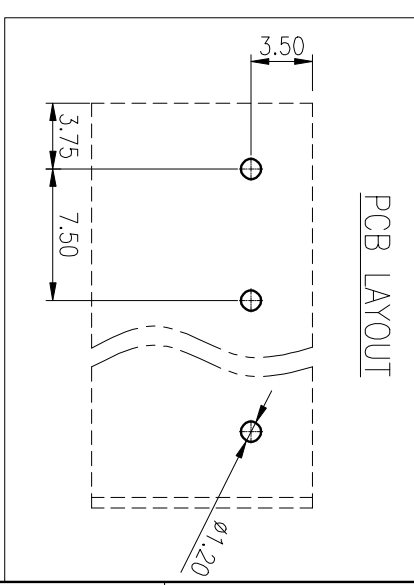
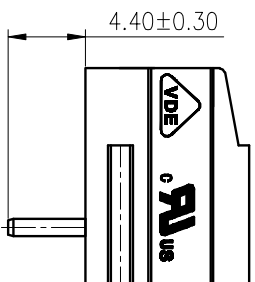
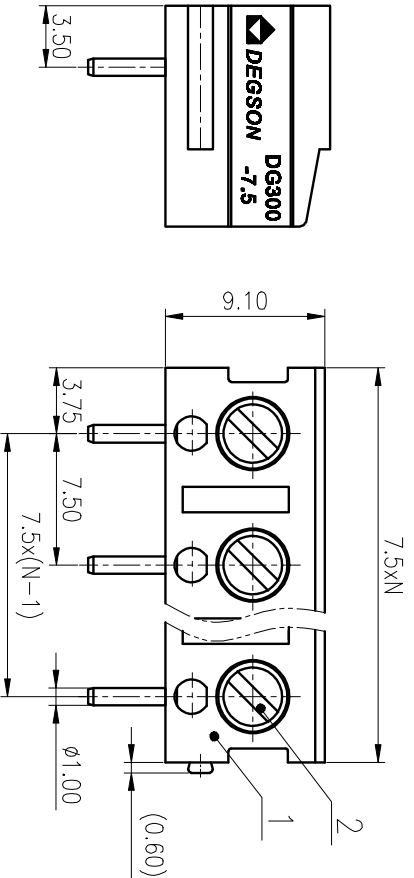
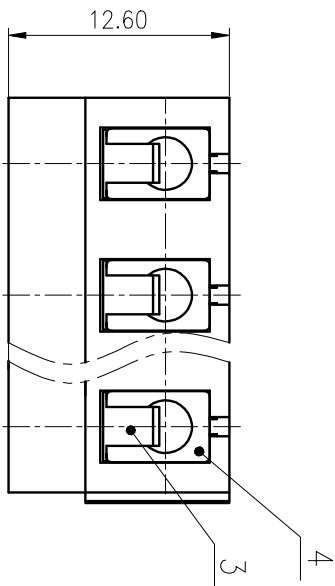


公差等级/General	tolerance/(mm)	0	>3	>6	>10	>18	>30	>50	>80	>120	>180	>280	>315	>400	>500	0.1/10
~	~	~	~	~	~	~	~	~	~	~	~	~	~	~	~	±Z
±0.12	±0.18	±0.22	±0.26	±0.31	±0.37	±0.57	±0.80	±0.93	±1.05	±1.15	±1.60	±2.20	±2.50			



ITEM	NAME OF PART	MATERIAL	NOTES
4	Pin	Copper alloy	M3/Sn Plated
3	Spring	Stainless steel	
2	Screw	Steel	M3/Zn Plated
1	Housing	PBT	UL94V-0

UL 标准/UL Standard:	B	C	D
额定电压/电压/Rated Voltage(V)/Current(A)	300/10	7	300/70
IEC 标准/IEC Standard:			
额定电压/电压/Rated Voltage(V)/Current(A)			450/24
工频耐压/Withstanding voltage(V/1Min)			AC2000
转矩/扭矩/Torque Tightening(N·m/Lbin)			M3: 0.5/4.43
线径范围(硬线和软线)/Wire Range(rigid and flexible)(mm²/AWG)			1.0~2.5/22~14
间距/Pitch(mm)/线数范围/Poles			7.5/N=02~16P
剥线长度/Stripping length(mm)			5~6
使用温度范围/Operating temperature(°C)			-30~+120
符合RoHS要求/Conform to RoHS			Yes

MATERIAL: SURFACE:
 MAT NO.: /
 STATUS: /
 APPD: Lon CHH 2020.05.25
 CHKD: Yu JZh 2020.05.25
 DRAFT: Li Zh 2020.05.25
NINGBO DEGSON ELECTRICAL CO., LTD
宁波高松电子有限公司

NAME: **DG300R-7.5-XXP-1Y-00A(H)**

DRAWING NO.: 10002158 TYPE: CUSTOMER DRAWING SCALE: 2.5:1 SHEET 1/1

REV	ECN	DESCRIPTION	DRAFT	DATE
1				
2				
3				
4				