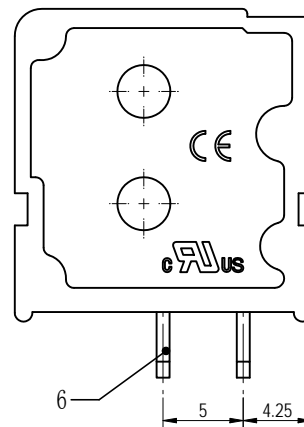
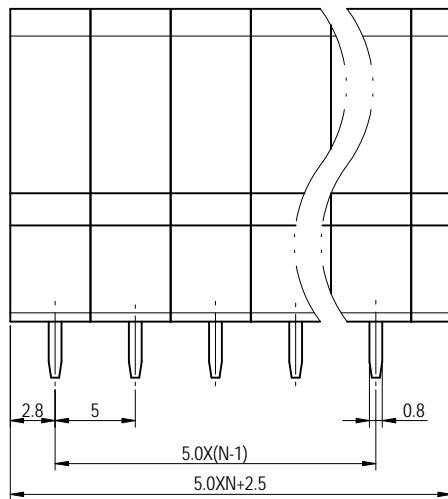
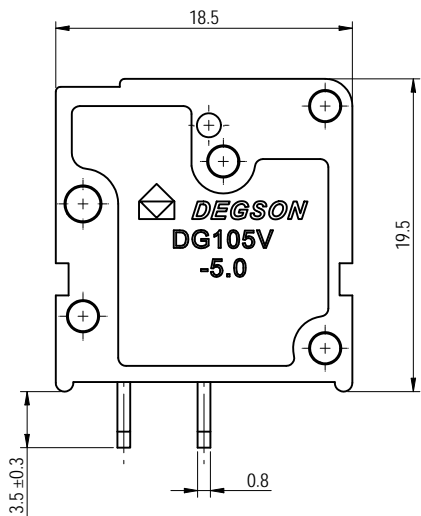
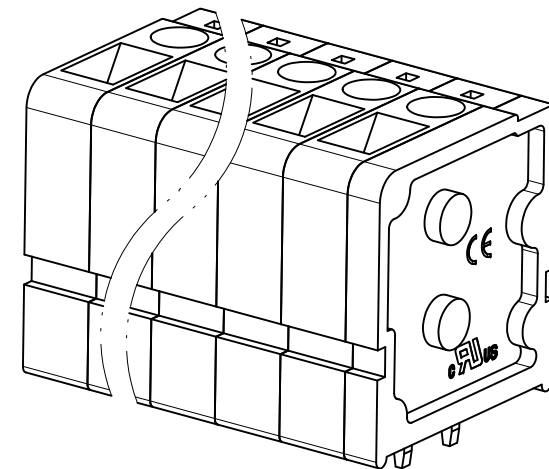
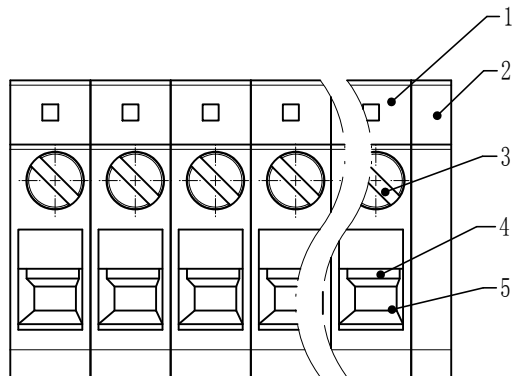
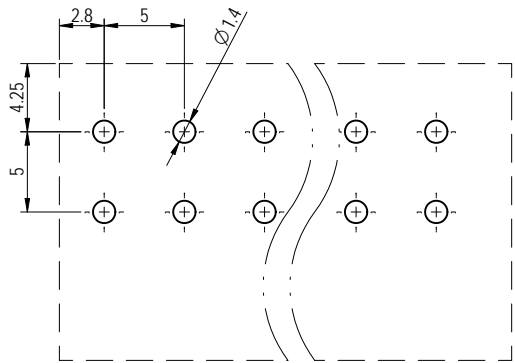


PCB LAYOUT



公差/General tolerances (mm)													0.1/10	
0	>3	>6	>10	>18	>30	>50	>80	>120	>180	>250	>315	>400	>500	D ±2
~	6	10	18	30	50	80	120	180	250	315	400	500	>500	
±0.12	±0.18	±0.22	±0.26	±0.31	±0.37	±0.57	±0.80	±0.93	±1.05	±1.15	±1.60	±2.20	±2.50	

Note:
The A&Z(H) in the name means: A(H) and Z(H).

ITEM	NAME OF PART	MATERIAL	NOTES
6	Pin header	Copper	Sn Plated
5	Cage	Steel	M2.5/Zn Plated
4	Block	Steel	Zn Plated
3	Screw	Steel	M2.5/Zn Plated
2	Cover	PA66	UL94V-0
1	Housing	PA66	UL94V-0

UL 标准/UL Standard:	B	C	D
额定电压/电流/Rated Voltage(V)/Current(A)	300/20	/	300/10
IEC 标准/IEC Standard:			
过压类别/Overvoltage Category/污染等级/Pollution Degree	III/3	III/2	II/2
额定电压/电流/Rated Voltage(V)/Current(A)	/	250/24	/
工频耐压/Withstanding voltage(V/1Min)	AC2000		
螺丝扭矩/Torque Tightening(N·m/Lb.in)	M2.5: 0.4/3.54		
线径范围(硬线和软线)/Wire Range(rigid and flexible)(AWG/mm²)	30~12 / 0.5~2.5		
间距/Pitch(mm)/线数范围/Poles	5.0/N=01~24P		
剥线长度/Stripping length(mm)	12~13		
使用温度范围/Operating temperature(°C)	-40~+105		
符合RoHS环保要求/Conform to RoHS	Yes		

DEGSON MATERIAL: SURFACE/COLOR: / 00 MAT STATUS: 批量

APPD: 兰春华 2022.09.23 NAME: DG105V-5.0-XXP-1Y-00A&Z(H)

CHKD: 陈超 2022.09.22

DRAFT: 黄徐涛 2022.09.22

DRAWING NO. 200029047 TYPE CUSTOMER DRAWING DRAWING STATUS 已发布 SCALE 1:1 SHEET 1/1

REV	ECN	DESCRIPTION	DRFT	DATE
00				2022.09.22

Transfer or duplication of this document as well as the utilization of its contents without the written consent of DEGSON is prohibited. All rights reserved for patent. 复制或再行发布此文件以及在没有 DEGSON 书面同意的情况下使用其内容均被禁止。所有权利保留。如有侵权，请联系 DEGSON 处理。