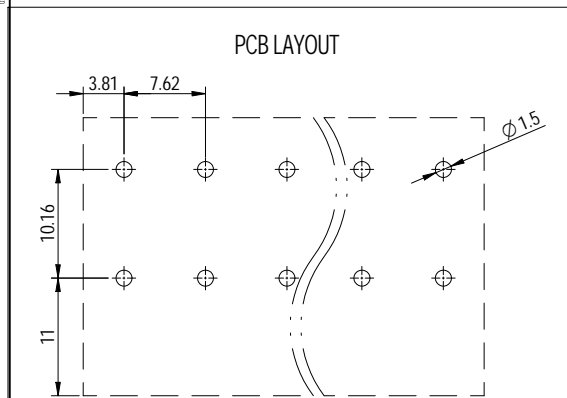
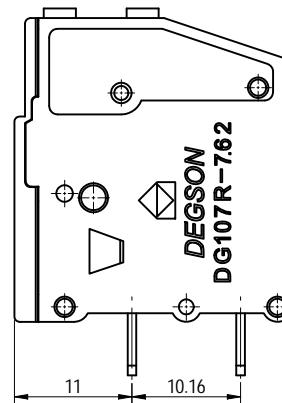
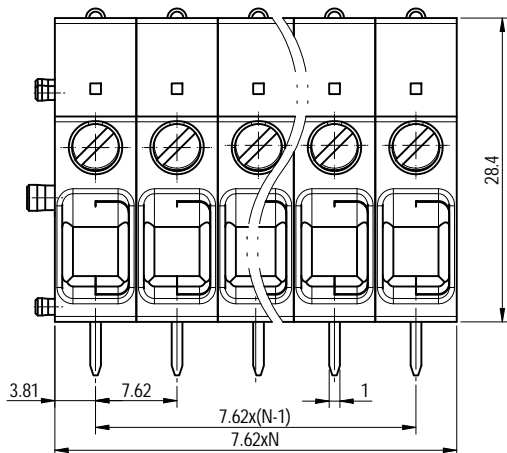
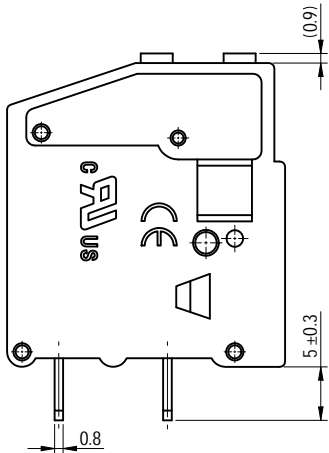
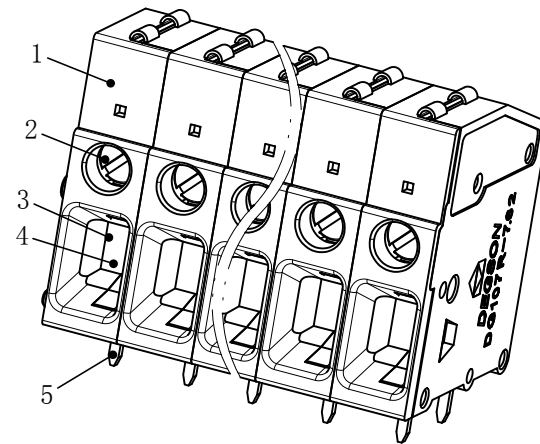
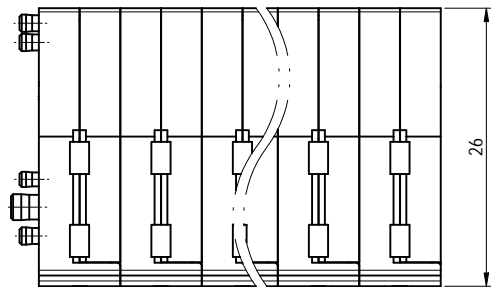


公差/General tolerances (mm)											D			
0	>3	>6	>10	>18	>30	>50	>80	>120	>180	>250	>315	>400	0.1/10	
~	~	~	~	~	~	~	~	~	~	~	~	~		
3	6	10	18	30	50	80	120	180	250	315	400	500		
±0.12	±0.18	±0.22	±0.26	±0.31	±0.37	±0.57	±0.80	±0.93	±1.05	±1.15	±1.60	±2.20	±2.50	±2



Note:  
The A&Z (H) in the name means: A(H) and Z(H).

ITEM	NAME OF PART	MATERIAL	NOTES
5	Pin header	Copper	Sn Plated
4	Slider	Steel	Zn Plated
3	Cage	Steel	M3/Zn Plated
2	Screw	Steel	M3/Zn Plated
1	Housing	PA66	UL94V-0

UL 标准/UL Standard:	B	C	D
额定电压/电流/Rated Voltage(V)/Current(A)	300/30	/	300/10
IEC 标准/IEC Standard:			
过压类别/Overvoltage Category/污染等级/Pollution Degree	III/3	III/2	II/2
额定电压/电流/Rated Voltage(V)/Current(A)	500/32	630/32	1000/32
额定脉冲电压(KV)/Rate Impulse Voltage(KV)	6	6	6
螺丝扭矩/Torque Tightening(N·m/Lb.in)			M3: 0.5/4.43
线径范围(硬线和软线)/Wire Range(rigid and flexible)(AWG/mm²)			26~10 / 0.5~6.0
间距/Pitch(mm)/线数范围/Poles			7.62/N=01~16P
剥线长度/Stripping length(mm)			13~14
使用温度范围/Operating temperature(°C)			-40~+105
符合RoHS环保要求/Conform to RoHS			Yes

<b>DEGSON</b>		MATERIAL:	SURFACE/COLOR:	
APPD: 竺春华	2022.12.07	MAT NO./REV: -	/ 00	MAT STATUS: 批量
CHKD: 陈超	2022.12.07	NAME: DG107R-7.62-XXP-1Y-00A&Z(H)		
DRFT: 巴宇辉	2022.12.07	DRAWING NO.	TYPE	DRAWING STATUS
		200124140	CUSTOMER DRAWING	已发布
		SCALE	1/1	SHEET
		2:1		

REV	ECN	DESCRIPTION	DRFT	DATE
00			巴宇辉	2022.12.07

Transfer or duplication of this document as well as the utilization of its contents without the written consent of DEGSON is prohibited. All rights reserved for patent. 未经授权复制或传播本文件及其内容，以及未经许可使用其内容，均属于侵权行为。DEGSON 保留所有权利。未经许可复制或传播本文件及其内容，以及未经许可使用其内容，均属于侵权行为。