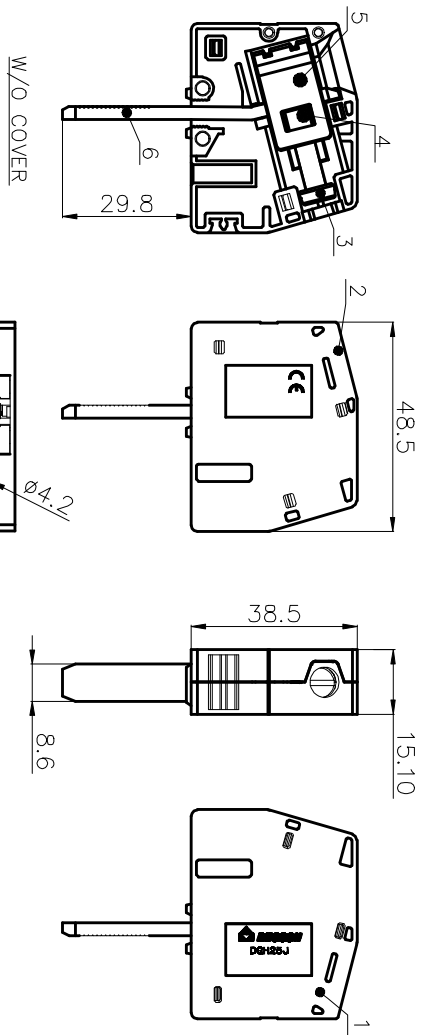
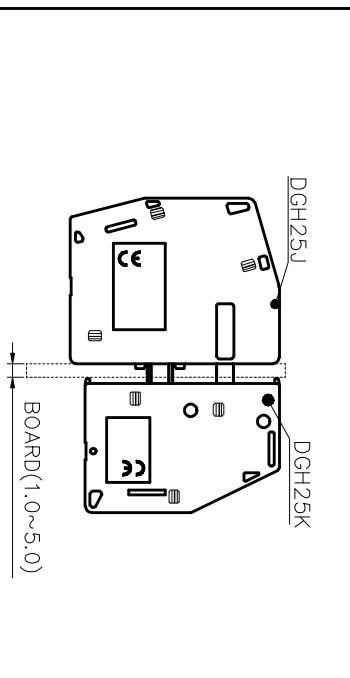


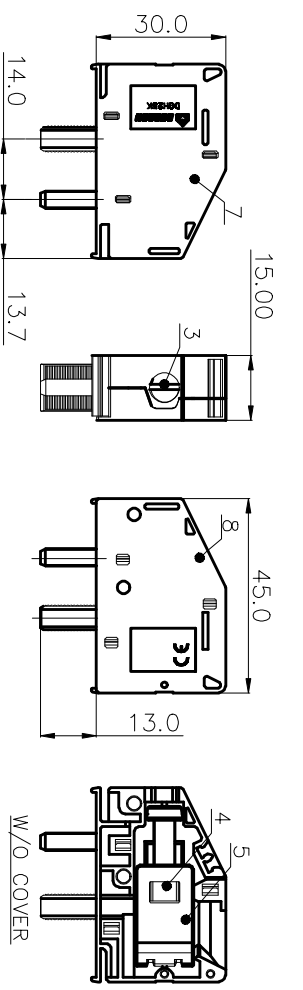
DGH25J-01P-1Y-00A(H)



规格/General	公差/ tolerances(mm)	0	>3	>6	>10	>18	>30	>50	>80	>120	>180	>250	>315	>400	>500	0.1/1.0
~	~	~	~	~	~	~	~	~	~	~	~	~	~	~	~	±Z
±0.12	±0.18	±0.22	±0.26	±0.31	±0.37	±0.57	±0.80	±0.93	±1.05	±1.15	±1.60	±2.20	±2.50			



DGH25K-01P-1Y-00A(H)



ITEM	NAME OF PART	MATERIAL	NOTES
1	Housing-J-2	PAG6	UL94V-0
2	Housing-J-1	PAG6	UL94V-0
3	Screw	Steel	Zn Plated
4	Cage	Copper alloy	Ni Plated
5	Cage	Spcc	Zn Plated
6	Current carrier	Copper	Sn Plated
7	Housing-K-2	PAG6	UL94V-0
8	Housing-K-1	PAG6	UL94V-0

REV	ECN	DESCRIPTION	DRAFT	DATE

MATERIAL:	/	NAME:	DGH25-01P-1Y-00A(H)
MAT NO.:	/	STATUS:	/
APPD:	/	CHKD:	/
DRAFT:	Nick 2015.10.22	DRAWING NO.:	DGH25-C01
TYPE:	CUSTOMER DRAWING	SCALE:	2:1
SIZE:	A4	SHEET:	1/1

UL 标准/UL Standard:	B	C	D
额定电压/电涌/Rated Voltage(V)/Current(A)	600/115	600/115	600/5
EC 标准/EC Standard:			
过压类别/Overvoltage Category/污染等级/Pollution Degree	III/3	III/2	II/2
额定电压/电涌/Rated Voltage(V)/Current(A)	500/101	/	/
额定电涌电压(kV)/Rate Impulse Voltage(kV)	6	/	/
额定扭矩/Torque Tightening(N·m/Lb·in)	M5: 4.0/35.44		
线径范围(硬线和软线)/Wire Range(rigid and flexible)(mm ² /AWG)	6~35(sec),10~25(stl)/8~2		
间距/Pitch(mm)/线数范围/Poles	15.10/N=01P		
剥线长度/Stripping length(mm)	19		
使用温度范围/Operating temperature(°C)	-40~+105		
符合RoHS要求/Conform to RoHS	Yes		

DEGSON® NINGBO DEGSON ELECTRICAL CO., LTD
宁波高松电子有限公司