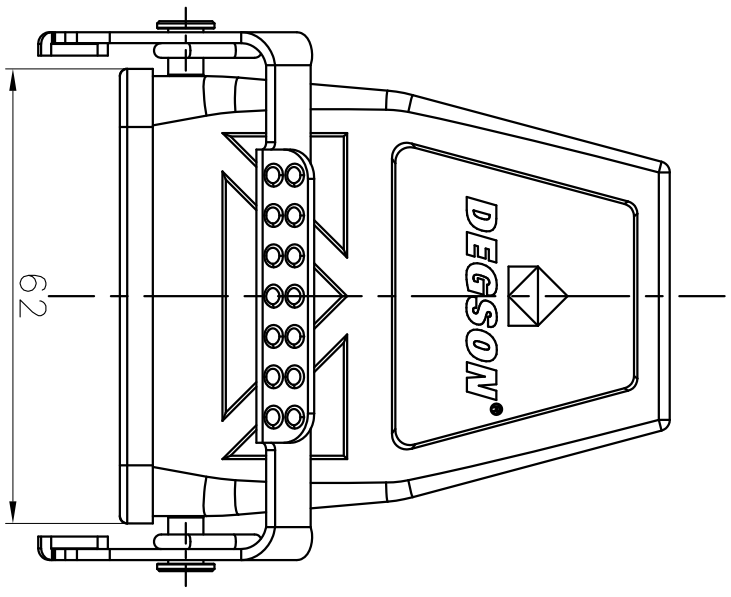
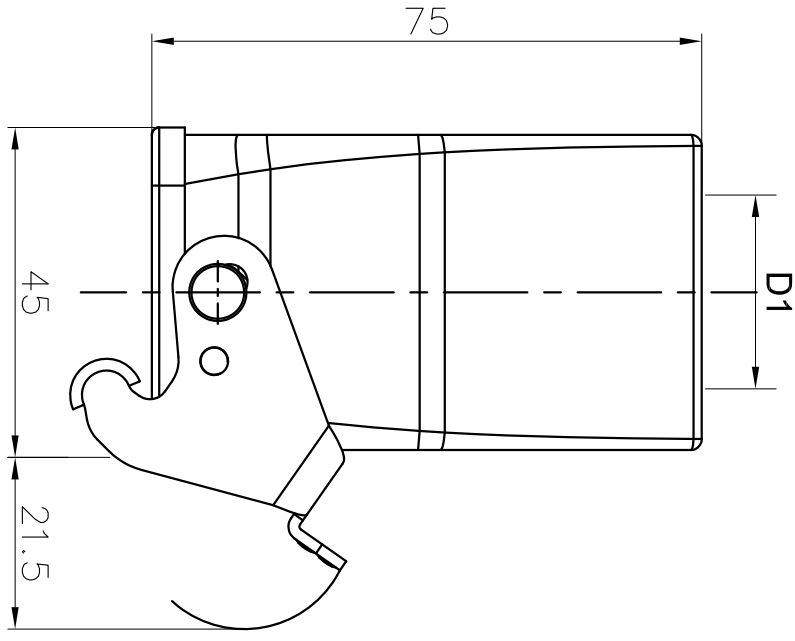
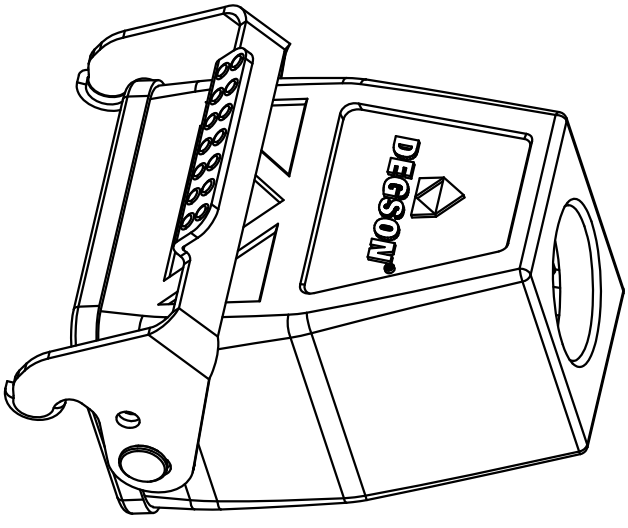


TYPE	Thread(D1)	Selection
D6B-CCTH-1L-M25	M25	
D6B-CCTH-1L-M32	M32	
D6B-CCTH-1L-PG21	PG21	
D6B-CCTH-1L-PG29	PG29	

REVISION RECORD				
REV	ECN	DESCRIPTION	DRFT	DATE



Housings Feature

1. Material: aluminium die-cast
2. Surface: Powder-coated
3. Color: grey(RAL 7037)
4. Material: Metal (Lever)
5. Sealing: NBR
6. Limiting temperatures: -40°C ~ +125°C
7. Flammability acc to UL94: V0
8. Degree of protection acc: to EN60529 for coupled connector :IP65
9. Rohs compliance

DETACHED LISTS	
PART NO.:	/
APPD:	
CHKD:	
DRFT:	Mr. yong 2017/06/28
NAME:	DEGSON NINGBO DEGSON ELECTRICAL CO., LTD 宁波高松电子有限公司
TITLE:	CUSTOMER DRAWING
DRAWING NO.:	D6B-CCTH-1L-M/PG
REV	DO-1
SHEET	1/1
SCALE	1:1



THIRD ANGLE PROJECTION



DO NOT SCALE DRAWING

A 8 7 6 5 4 3 2 1