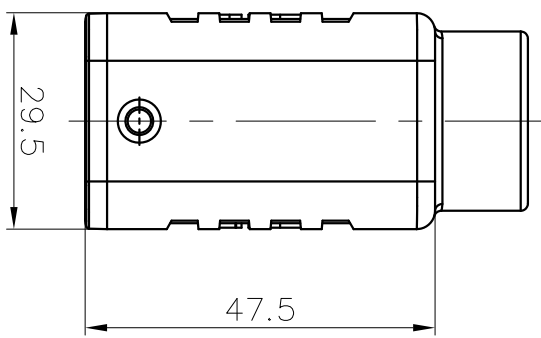
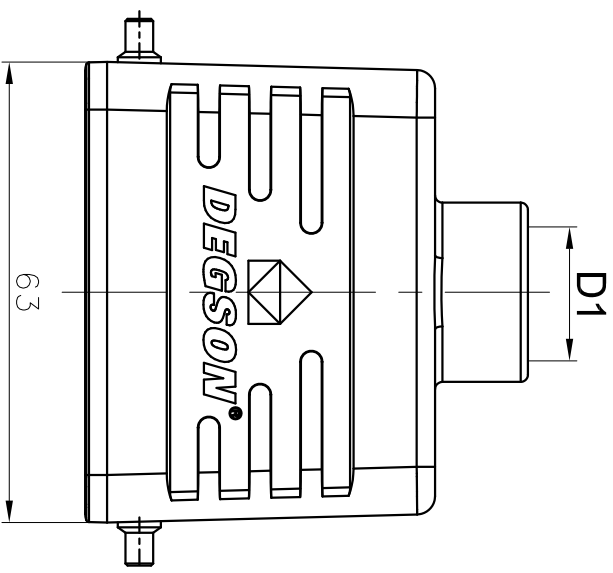
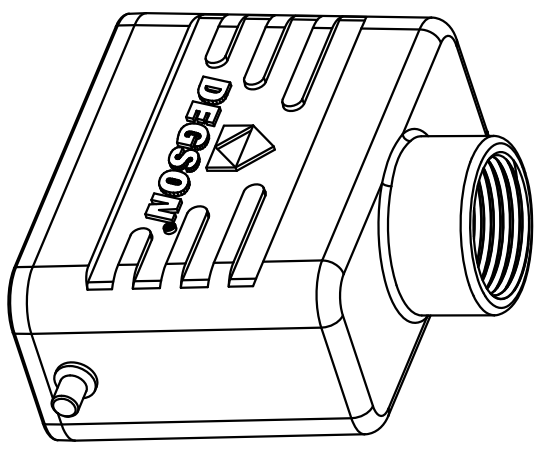



TYPE	Thread(D1)	Selection
D10A-TE-2g-M20	M20	
D10A-TE-2g-PG13.5	PG13.5	

REVISION RECORD			
REV	ECN	DESCRIPTION	DATE



Hoods Feature

- 01. Material: Aluminium die-cast
- 02. Surface: Powder-coated
- 03. Color: grey (RAL 7037)
- 04. Limiting temperatures: -40°C ~ +125°C
- 05. Sealing: NBR
- 06. Flammability acc to UL94: V0
- 07. Degree of protection acc. to EN60529 for coupled connector: IP65
- 08. Rohs Compliance

DETACHED LISTS			
PART NO.:	 NINGBO DEGSON ELECTRICAL CO., LTD 宁波高松电子有限公司		
APPR:	NAME:		
CHKD:	D10A-TE-2g-M/PG		
DFT: Mr. yong 2016.08.15	TITLE:	CUSTOMER DRAWING	REV DO-1
THIRD ANGLE PROJECTION	DRAWING NO.:	DO NOT SCALE DRAWING	REV SHEET
	1/1	SCALE	1:1

A 8 7 6 5 4 3 2 1