

| REVISION RECORD |     |             |      |      |
|-----------------|-----|-------------|------|------|
| REV             | ECN | DESCRIPTION | DRFT | DATE |
|                 |     |             |      |      |

Technical characteristics:

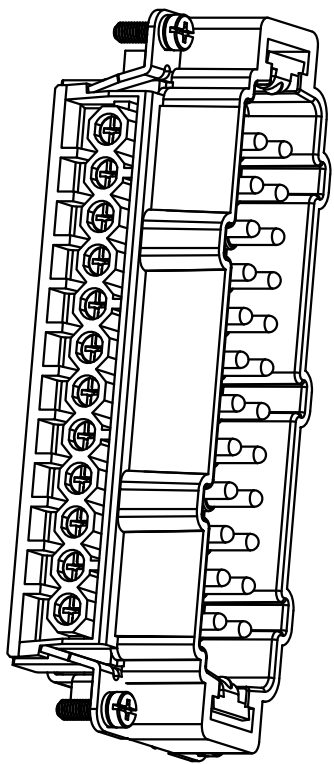
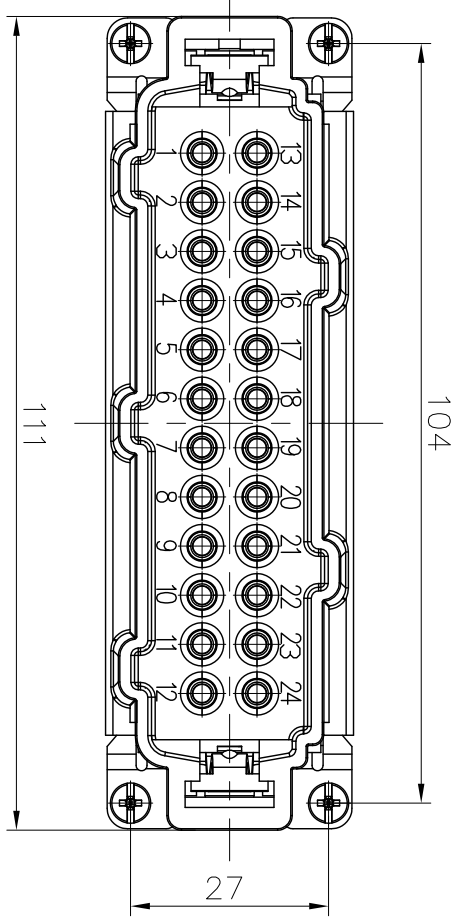
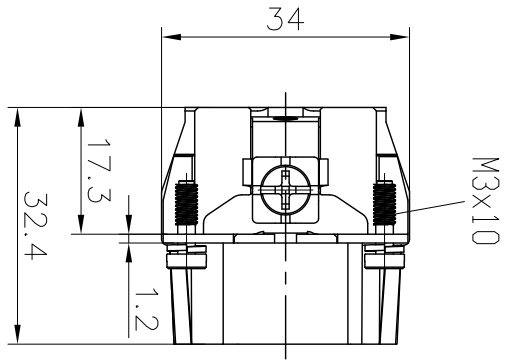
Specifications  
 DIN EN 60 664-1  
 DIN EN 61 984

Inserts

01. Number of contacts : 24+PE
02. Rated Current : 16A
03. Rated Voltage : 500V
04. Pollution degree : 3
05. Rated impulse voltage : 6kv<sup>10</sup>
06. Insulation resistance :  $\geq 10^9 \Omega$
07. Material: Polycarbonate
08. Rated voltage acc. to UL/CSA: 600V
09. Limiting temperatures : -40°C ~ +125°C
10. Flammability acc. to UL94: V0
11. Mechanical working life (mating cycles) :  $\geq 500$

Contacts

01. Material: Copper alloy
02. Surface: hard-silver plated
03. Contact resistance :  $\leq 1m\Omega$
04. Terminal : Screw terminal
05. Wire gauge : 1.0-2.5mm<sup>2</sup> (AWG: 18-14)
06. Tightening torque : 0.5Nm
07. Stripping length : 7.5mm
08. Rohs Compliance



| DETACHED LISTS         |                     |                                   |        |
|------------------------|---------------------|-----------------------------------|--------|
| PART NO.:              | /                   | NINGBO DEGSON ELECTRICAL CO., LTD |        |
| APPD:                  |                     | NAME: DE-024-M                    |        |
| CHKD:                  |                     | NINGBO DEGSON ELECTRICAL CO., LTD |        |
| DRFT:                  | Mr. Yang 2016.08.08 | TITLE: CUSTOMER DRAWING           | REV DO |
| THIRD ANGLE PROJECTION |                     | DRAWING NO.:                      | SHEET  |
|                        |                     | /                                 | 1/1    |
|                        |                     | DO NOT SCALE DRAWING              | SCALE  |
|                        |                     |                                   | 1:1    |

A 8 7 6 5 4 3 2 1