

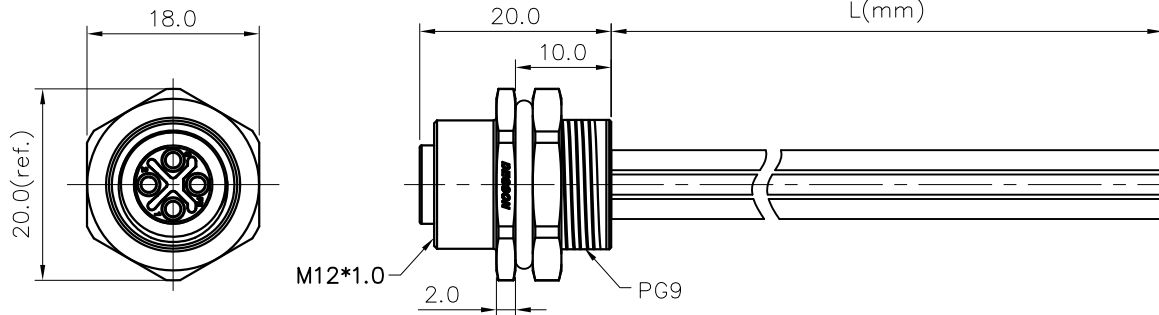
REVISION RECORD

REV	ECN	DESCRIPTION	DRFT	DATE
-----	-----	-------------	------	------

NOTES:

- Rated voltage/current : 3pin S: 630V / 12A
4pin S: 630V / 12A
- Withstanding voltage : 3pin: AC3420V/1Min
4pin: AC3420V/1Min
- Levels of protection: IP68
- Cable specifications :
3pin S: 16AWG/1.5mm², UL1015
4pin S: 16AWG/1.5mm², UL1015
- Wire connection mode: soldering
- Operating temperature: -25°C~+80°C
- For Panel Thickness Max: 4.5mm
- RoHS Compliance
- Tolerance :

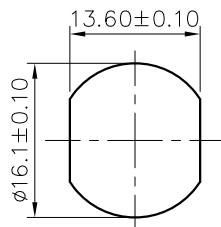
.X	±0.25mm
.XX	±0.1mm
∠	±1°



SD-M12S-XXP-FF-SH8XXX-00A(H)

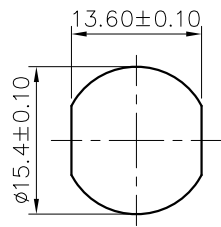
Pin number: 03,04
 Thread specification:
 A: PG9;
 B: M16*1.5
 XX: 150~1500mm
 15: 150±15mm
 30: 300±20mm
 50: 500±20mm
 A0: 1000±40mm
 A5: 1500±40mm
 Wire Length L: 150~1500mm

Thread specification:
M16*1.5



Panel Mounted

Thread specification:
PG9



Panel Mounted

3pin S Coding		4pin S Coding	
Pin Assignments Front View		Pin Assignments Front View	
4	Black	4	Black
3	Blue	3	Blue
1	Brown	2	White
Pin	Wire Color	Pin	Wire Color
Pin Out		Pin Out	

DETACHED LISTS	PART NO.: SDM12SXXPFFSH8XXX00AH	宁波高松电子有限公司 NINGBO DEGSON ELECTRICAL CO., LTD			
	APPD:	NAME: SD-M12S-XXP-FF-SH8XXX-00A(H)			
	CHKD:	TITLE: CUSTOMER DRAWING			
	DRFT: SQ 2019.05.17	REV	D0-1		
			DRAWING NO.: XXXXXXXX-XX-CXX	SHEET	1/1
		MM (INCH)	DO NOT SCALE DRAWING	SCALE	1:1