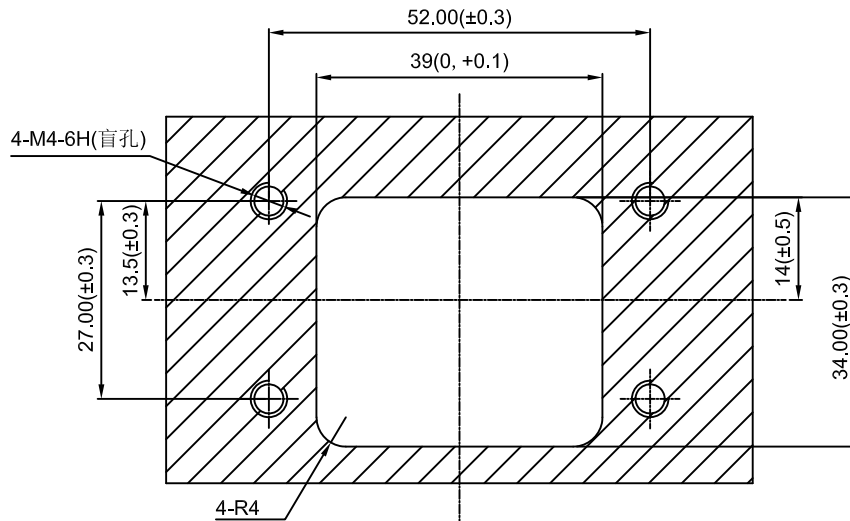
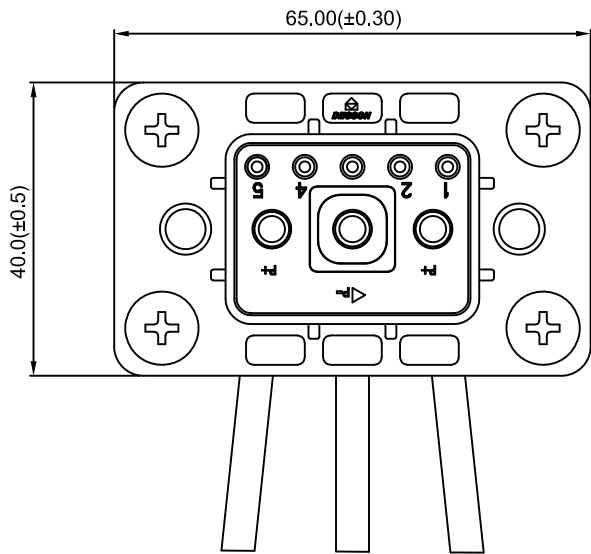
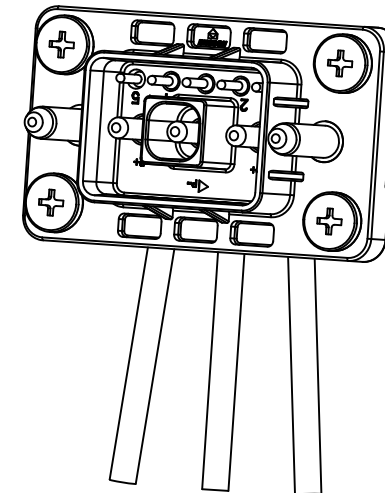


未注公差/General tolerances(mm)											0.1/10		
0	>3	>6	>10	>18	>30	>50	>80	>120	>180	>250		>315	>400
~3	~6	~10	~18	~30	~50	~80	~120	~180	~250	~315	~400	~500	~2.50
±0.12	±0.18	±0.22	±0.26	±0.31	±0.37	±0.57	±0.80	±0.93	±1.05	±1.15	±1.60	±2.20	±2.50



未标尺寸请参考3D文件



推荐面板开孔尺寸

型号说明

SA-EBB-F-3005-M-L300-00A(H)

插座

组装式

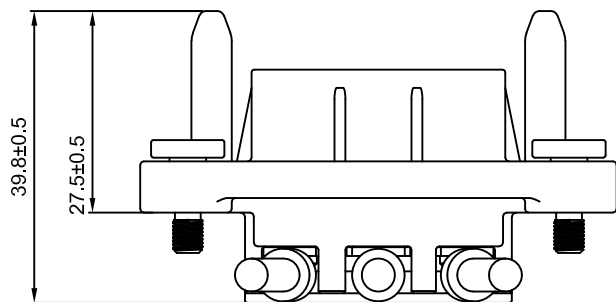
系列名称

公端

线长300mm

通用型环保产品

产品插针数量
功率针3pin,
信号针5pin



额定电压电流/Rated Voltage/Current	72V/60A
绝缘电阻/Insulation resistance	≥500MΩ
插拔次数/Mechanical working life(mating cycles)	5000
耐电压/Withstanding voltage	1500V AC
使用温度范围/Operating temperature(°C)	-40~+105
防水等级/Levels of protection	/
接线方式/Terminal	Crimping
导线外径范围/Wire range(mm)	8AWG/22AWG

MATERIAL: / SURFACE: /

MAT NO.: / STATUS: /

宁波高松电子有限公司
NINGBO DEGSON ELECTRICAL CO., LTD

APPD: / NAME: SA-EBB-F-3005-M-L300-00A(H)

CHKD: /

DRFT: ZCJ 2021.8.20 DRAWING NO.: REV TO

SIZE: A4 TYPE: CUSTOMER DRAWING SCALE: 2:1 SHEET 1/1

REV	ECN	DESCRIPTION	DRFT	DATE
A0				
			Xxx XX	20XX.XX.X X

Transfer or duplication of this document as well as the utilization or communication of its contents are prohibited unless explicit authorization is granted. Violations will be liable for compensation. All rights reserved for patent, utility, model or designs registrations. 除非给予明确授权，否则禁止转让、复制、利用、交还本文件的内容。侵犯者将承担法律责任。未经许可擅自对外泄露者将承担法律责任。