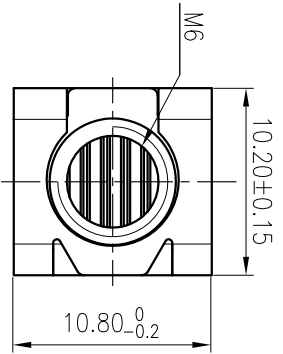
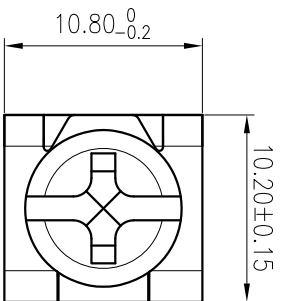


1.Cage



NOTES:

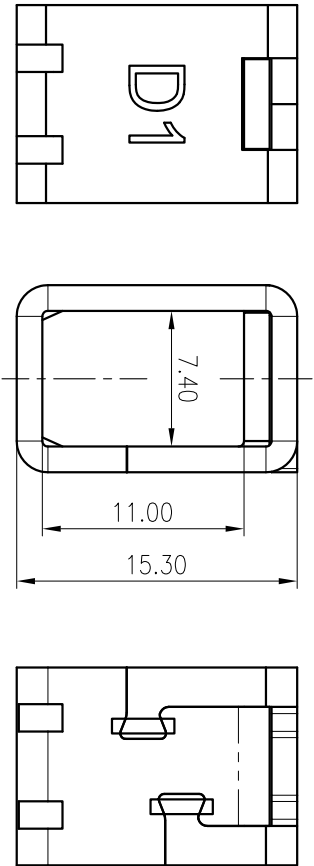
- 1.Material:Steel
- 2.Torque value: 6N·m
- 3.Finish:Surface plated Zn,Soilt spray test:48hours Min
- 4.RoHS Compliance



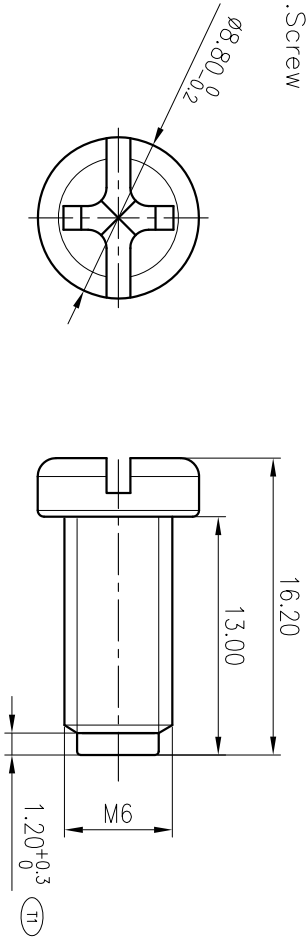
NOTES2:

- 1.Dimension shall be interpreted per ASME Y14.5-2009
- 2.Undimensioned tolerances:
- 3.RoHS Compliance

公差等级/General tolerances(mm)	0	>3	>6	>10	>18	>30	>50	>80	>120	>180	>250	>315	>400	>500	0.1/10
~	~	~	~	~	~	~	~	~	~	~	~	~	~	~	~
±0.12	±0.18	±0.22	±0.26	±0.31	±0.37	±0.45	±0.57	±0.80	±0.93	±1.05	±1.15	±1.60	±2.20	±2.50	±Z

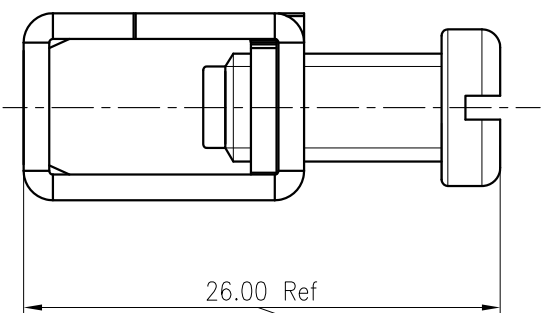


2.Screw

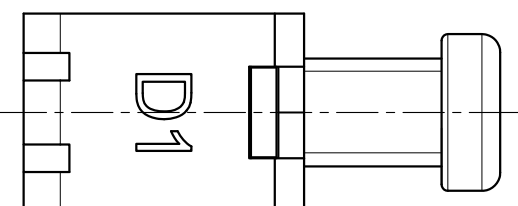


NOTES:

- 1.Material:Steel
- 2.Finish:Surface plated Zn, Soilt spray test:48hours Min
- 3.Screw Performance Level 6.8; Torque Standard: 5.0 N.m; Max 5.5~6.0N.m
- 4.RoHS Compliance



Screw preassemble status only for reference



IEC Standard

2.Torque value : M6 , 3N· m

ITEM	NAME OF PART	MATERIAL	NOTES
2	Screw	Steel	Zn plated
1	Cage	Steel	Zn plated

SURFACE: /

MATERIAL: /

MAT NO: /

STATUS: /

APPD: /

CHKD: Zhong YH 2021.09.15

DRAFT: Wang LX 2018.10.09

SIZE: A4

TYPE: CUSTOMER DRAWING

NAME: **DEGSON** NINGBO DEGSON ELECTRICAL CO., LTD

NAME: K88-00A(H)

DRAWING NO.: K88-C01

SCALE: 2.5:1 SHEET 1/1

REV T1