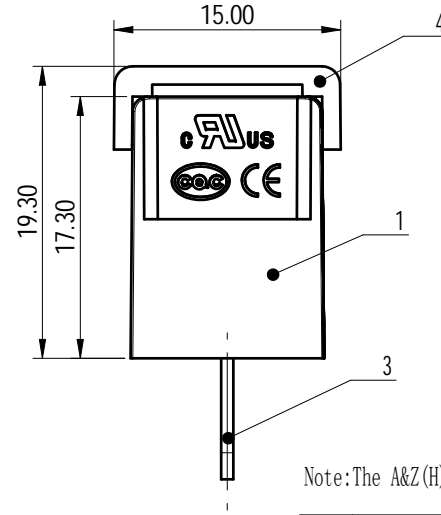
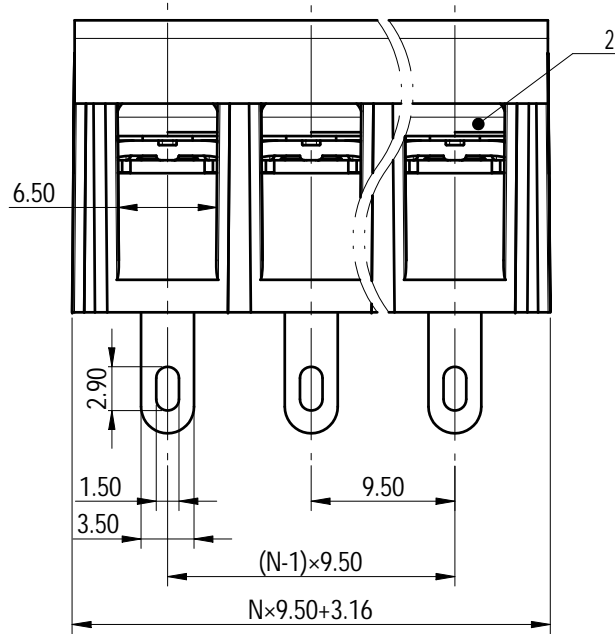
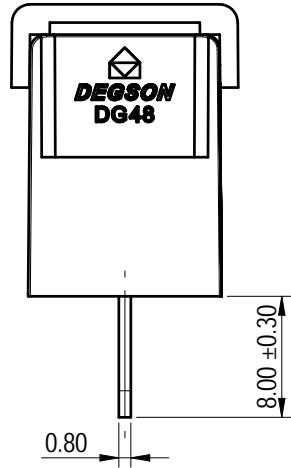
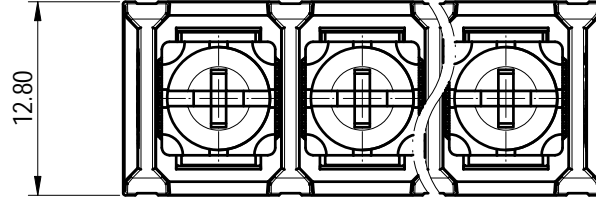


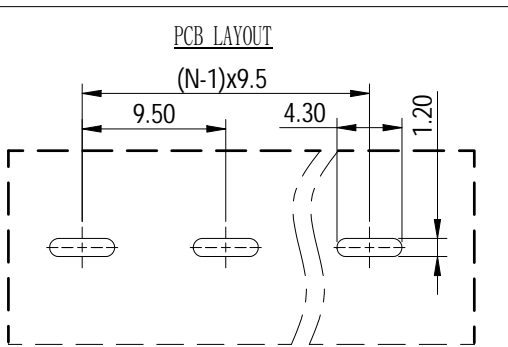
(W/O COVER VIEW)

未注公差/General tolerances (mm)												0.1/10		
0 ~ 3	>3 ~ 6	>6 ~ 10	>10 ~ 18	>18 ~ 30	>30 ~ 50	>50 ~ 80	>80 ~ 120	>120 ~ 180	>180 ~ 250	>250 ~ 315	>315 ~ 400		>400 ~ 500	>500
±0.12	±0.18	±0.22	±0.26	±0.31	±0.37	±0.57	±0.80	±0.93	±1.05	±1.15	±1.60	±2.20	±2.50	±2'



Note: The A&Z(H) in the name means: A(H) and Z(H).

ITEM	NAME OF PART	MATERIAL	NOTES
4	Cover	PC	UL94V-2
3	Pin header	Copper alloy	Sn Plated
2	Screw	Steel	Ni Plated
1	Housing	PA66	UL94V-0



UL 标准/UL Standard:		B	C	D
额定电压/电流/Rated Voltage(V)/Current(A)		300/20	/	/
螺丝扭矩/Torque Tightening(N·m/Lb.in)		M4, 1.2/10.53		
线径范围(硬线和软线)/Wire Range(rigid and flexible)(AWG)		22~12		
间距/Pitch(mm)/线数范围/Poles		9.50/N=02~22P		
使用温度范围/Operating temperature(°C)		-40~+105		
符合RoHS环保要求/Conform to RoHS		Yes		

<b>DEGSON</b>		MATERIAL:	SURFACE/COLOR:		
APPD: 蓝贵凡 2022.11.25		MAT NO./REV: - / 00	MAT STATUS: 批量		
CHKD: 曹利彬 2022.11.25		NAME			
DRFT: 姜民洁 2022.11.25		DG48H-B-XXP-1Y-00A&Z(H)			
DRAWING NO.	TYPE	DRAWING STATUS	SCALE	SHEET	
200123058	CUSTOMER DRAWING	已发布	2:1	1/1	

REV	ECN	DESCRIPTION	DRFT	DATE
00				

Transfer or duplication of this document as well as the utilization or communication of its contents are prohibited unless authorized in advance. Violations will be held for compensation. All rights reserved for patent, utility model or design registrations. 除专利等明确标注外，其他内容均受法律保护。未经事先许可，不得擅自复制或传播。本公司保留对涉及发明、实用新型和外观设计的所有权利。