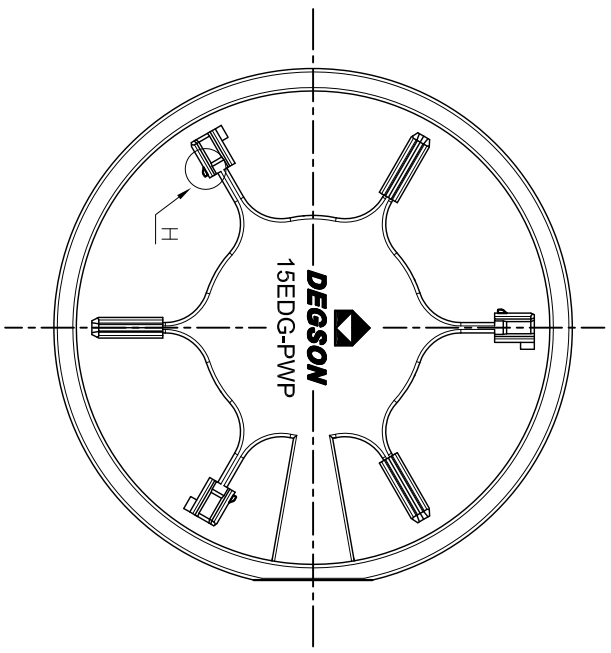
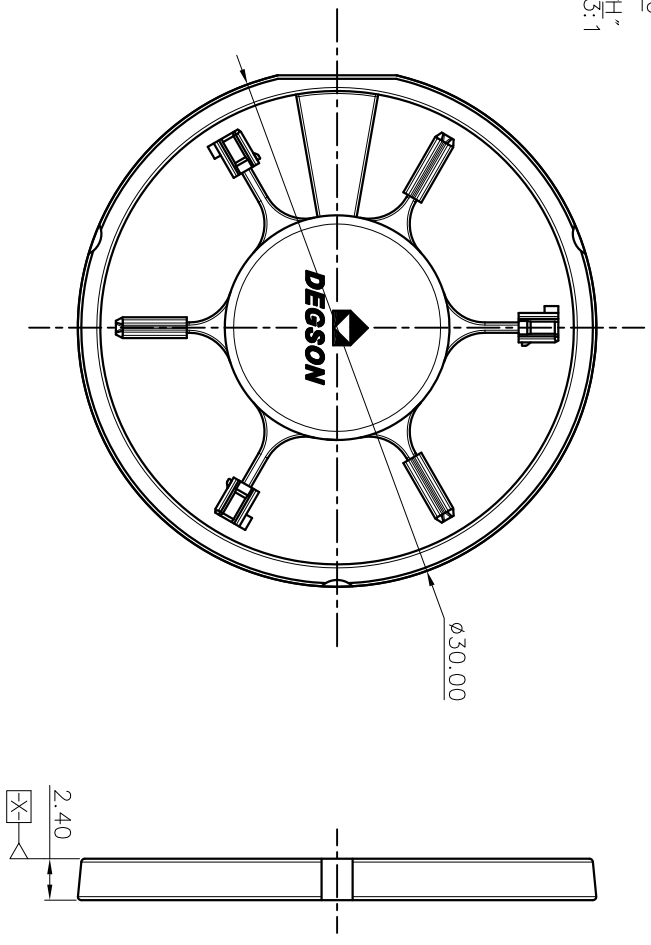
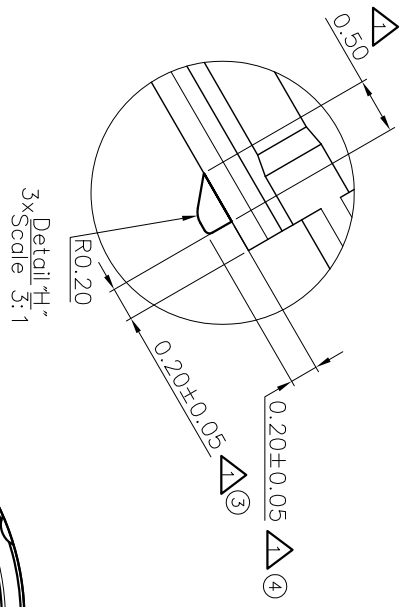


REVISION RECORD				
REV	ECN	DESCRIPTION	DRFT	DATE
1	19-0049	内部结构图, 删除位置加六点, 并加入重点标注	FJY	2018.11.13



NOTES2:

- 1.Dimension shall be interpreted per ASME Y14.5-2009
- 2.Poles : 06P
- 5.Operating temperature: -30°C~+120°C
- 7.Undimensioned tolerances:

Pitch range in mm	Over	TO	Over	TO	Over	TO	Over	TO	Over	TO	Over	TO	Over	TO	Over	TO
6	10	10	24	30	60	100	150									
±0.15	±0.20	±0.30	±0.30	±0.30	±0.50	±0.70	±1.00	±1.30								

8.RoHS Compliance

DETACHED LISTS			
PART NO.:	/	ITEM	1
NAME:	15EDG-PWP-06P-1Y-00A(H)	NAME OF PART	Housing
DRFT:	Xin 2018.03.08	MATERIAL	PBT
CHKD:		NOTES	UL94V-0
APPD:		REV	T1
TITLE:	ASSEMBLY DRAWING	SHEET	1/1
DRAWING NO.:	15EDG-PWP-C01	SCALE	1:1
THIRD ANGLE PROJECTION		DO NOT SCALE DRAWING	

DEGSON
 宁波高松电子有限公司
 NINGBO DEGSON ELECTRICAL CO., LTD