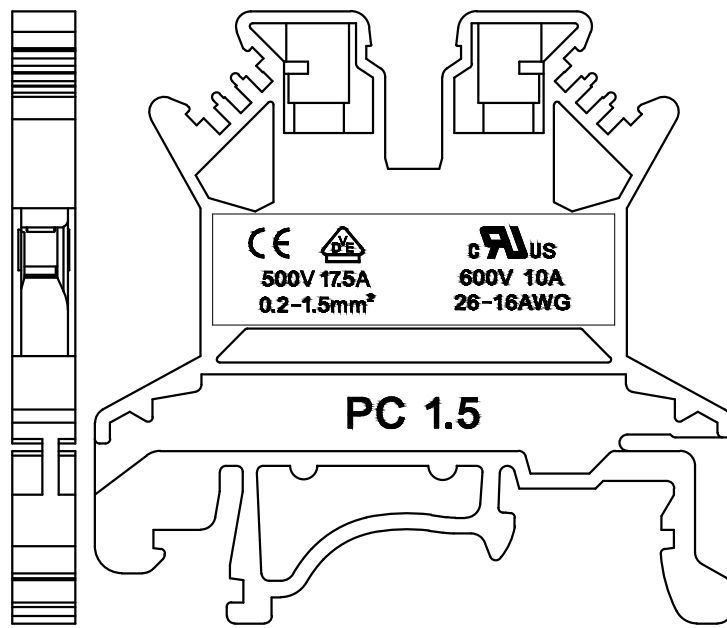
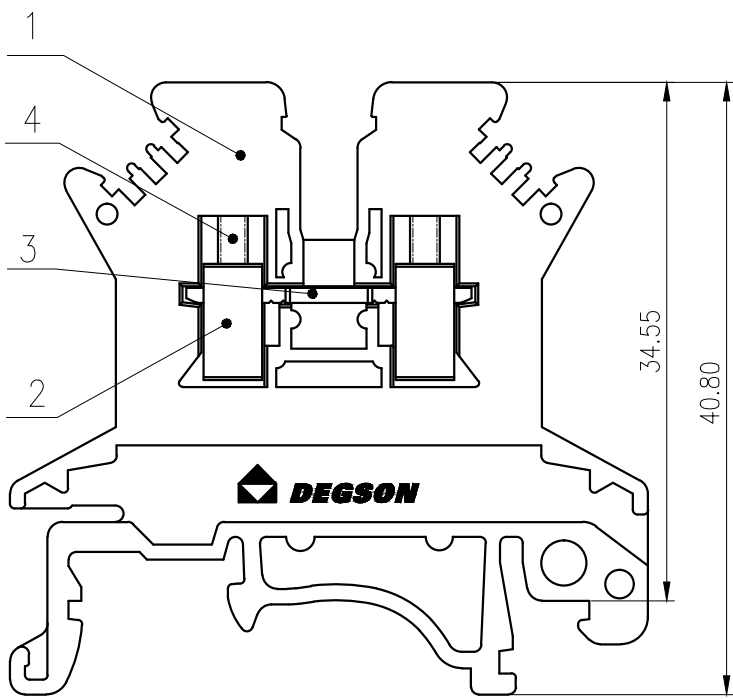
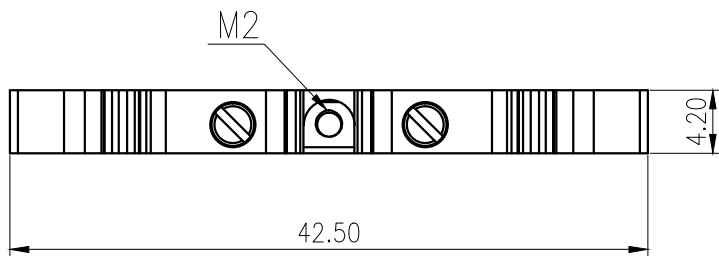


未注公差/General tolerances(mm)													0.1/10
0	>3	>6	>10	>18	>30	>50	>80	>120	>180	>250	>315	>400	
~3	~6	~10	~18	~30	~50	~80	~120	~180	~250	~315	~400	~500	
±0.12	±0.18	±0.22	±0.26	±0.31	±0.37	±0.57	±0.80	±0.93	±1.05	±1.15	±1.60	±2.20	±2.50



UL 标准/UL Standard:	B	C	D
额定电压/电流/Rated Voltage(V)/Current(A)	600/10	600/10	600/10
EC 标准/IEC Standard:			
过压类别/Overvoltage Category/污染等级/Pollution Degree	III/3	/	/
额定电压/电流/Rated Voltage(V)/Current(A)	500/17.5	/	/
额定脉冲电压(KV)/Rate Impulse Voltage(KV)	6.0	/	/
螺丝扭矩/Torque Tightening(N·m/Lb.in)	M2, 0.2/1.8		
线径范围(硬线和软线)/Wire Range(rigid and flexible)(mm²/AWG)	0.2~1.5mm² 26-16AWG		
间距/Pitch(mm)	4.2		
剥线长度/Stripping length(mm)	6-7		
使用温度范围/Operating temperature(°C)	-40~+105		
符合RoHS环保要求/Conform to RoHS	Yes		
标准颜色编号/Standard color number: PANTONE / RAL	/		

ITEM	NAME OF PART	MATERIAL	NOTES
4	Screw	Copper alloy	M2/Ni Plated
3	Current Carrier	Copper	Sn Plated
2	Brass Cage	Copper alloy	M2/Ni Plated
1	Housing	PA66	UL94V-0

REV	ECN	DESCRIPTION	DRFT	DATE

MATERIAL:	SURFACE:			
MAT NO.: /	宁波高松电子有限公司 NINGBO DEGSON ELECTRICAL CO., LTD			
STATUS: /				
APPD: Li GL 2020.04.03	NAME: PC1.5-01P-1Y-00A(H)			
CHKD: Mao J 2020.04.03	DRAWING NO.: PC 1.5-C01			
DRFT: Zhuwm 2006.05.20	REV	TO		
	TYPE: CUSTOMER DRAWING	SCALE: 2:1	SHEET	1/1