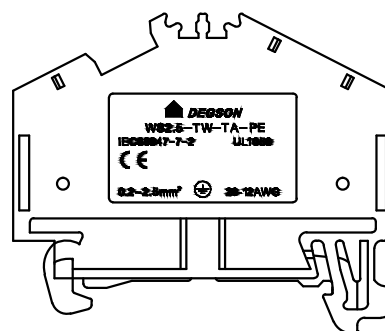
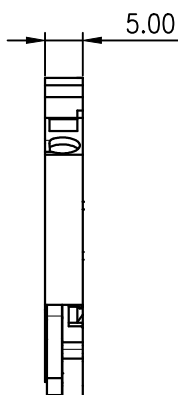
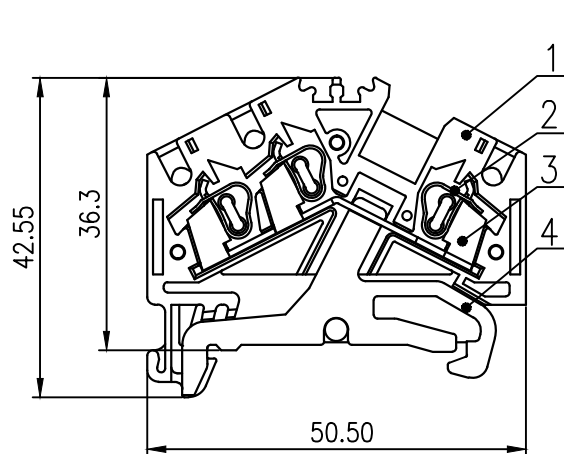
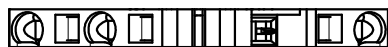


未注公差/General tolerances(mm)											0.1/10		
0	>3	>6	>10	>18	>30	>50	>80	>120	>180	>250		>315	>400
3	6	10	18	30	50	80	120	180	250	315	400	500	>500
±0.12	±0.18	±0.22	±0.26	±0.31	±0.37	±0.57	±0.80	±0.93	±1.05	±1.15	±1.60	±2.20	±2.50



4	Current contact	Copper alloy	Sn Plated
3	Current carrier	Copper	Sn Plated
2	Spring	Stainless steel	
1	Housing	PA66	UL94V-0

ITEM	NAME OF PART	MATERIAL	NOTES
UL 标准/UL Standard:		B	C
额定电压/电流/Rated Voltage(V)/Current(A)		/	/
EC 标准/IEC Standard:			
过压类别/Overvoltage Category/污染等级/Pollution Degree		III/3	/
额定电压/电流/Rated Voltage(V)/Current(A)		/	/
额定脉冲电压(KV)/Rate Impulse Voltage(KV)		8.00	/
线径范围(硬线和软线)/Wire Range(rigid and flexible)(mm²/AWG)		0.2~2.5/28~12	
间距/Pitch(mm)		5.00	
剥线长度/Stripping length(mm)		9	
使用温度范围/Operating temperature(°C)		-40~+105	
符合RoHS环保要求/Conform to RoHS		Yes	
标准颜色编号/Standard color number: PANTONE / RAL		/	

MATERIAL:		SURFACE:	
MAT NO.:	/	宁波高松电子有限公司 NINGBO DEGSON ELECTRICAL CO., LTD	
STATUS:	/		
APPD:	LiGL 2020.05.27	NAME:	
CHKD:	MaoJ 2020.05.27	WS2.5-TW-TA-PE-01P-1C-00A(H)	
DRFT:	ZhengQG 2020.05.29	DRAWING NO.: WS2.5-TW-TA-PE-C02	
		REV	T2
		TYPE: CUSTOMER DRAWING	SCALE: 1:1 SHEET 1/1

REV	ECN	DESCRIPTION	DRFT	DATE
1				
2				
3				
4				