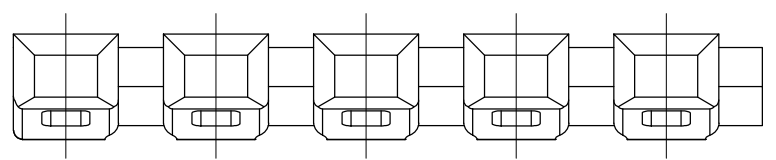
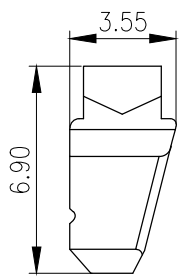
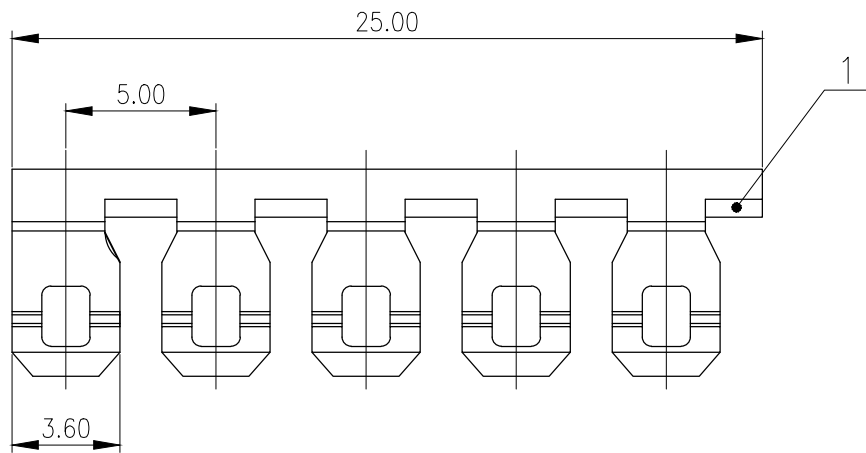
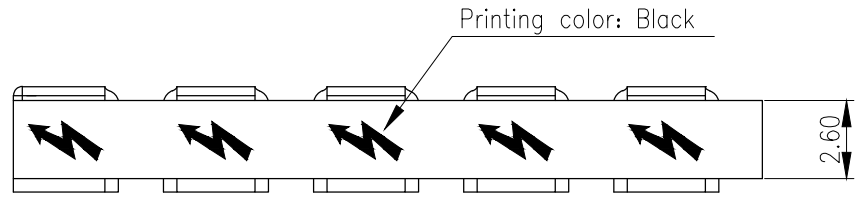
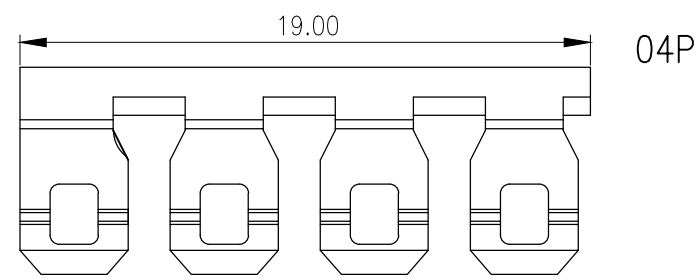
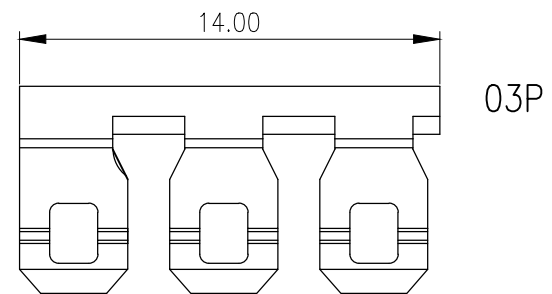
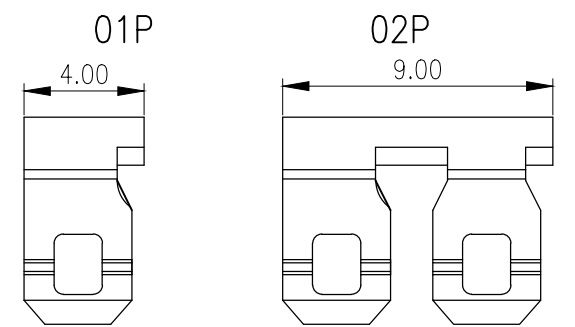


未注公差/General tolerances(mm)													0.1/10	
0	>3	>6	>10	>18	>30	>50	>80	>120	>180	>250	>315	>400		>500
±0.12	±0.18	±0.22	±0.26	±0.31	±0.37	±0.57	±0.80	±0.93	±1.05	±1.15	±1.60	±2.20	±2.50	±2'



05P



1	Housing	PA66	UL94V-0
ITEM	NAME OF PART	MATERIAL	NOTES
间距/Pitch(mm)/线数范围/Poles			5.0/01P~05P
使用温度范围/Operating temperature(°C)			-40~+105
符合RoHS环保要求/Conform to RoHS			Yes

MATERIAL:		SURFACE:	
MAT NO.:	/	宁波高松电子有限公司 NINGBO DEGSON ELECTRICAL CO., LTD	
STATUS:	/		
APPD:	Li GL 2020.06.06	NAME:	
CHKD:	Mao J 2020.06.06	EEA2.5-XXP-1Y-00A(H)	
DRFT:	Feng X 2020.05.30	DRAWING NO.:	EEA2.5-C01
REV	ECN	DESCRIPTION	DRFT
DATE	SIZE: A4	TYPE: CUSTOMER DRAWING	SCALE: 4:1
TO	mm	SHEET	1/1
	(inch)		

REV	ECN	DESCRIPTION	DRFT	DATE