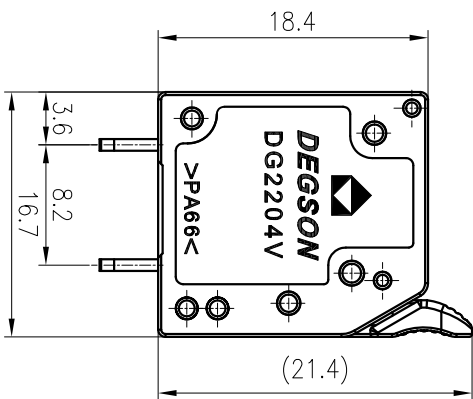
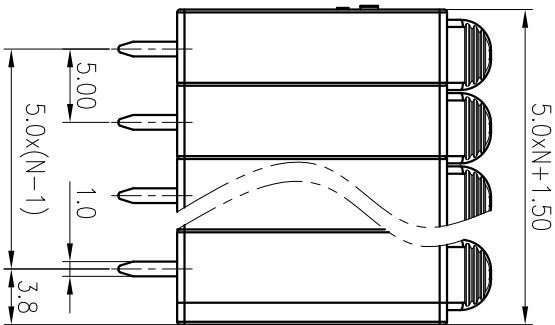
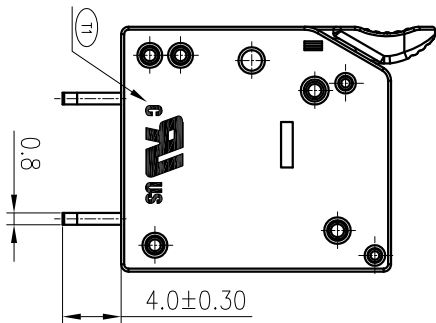
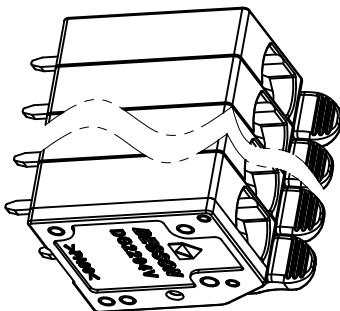
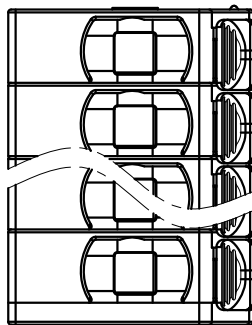
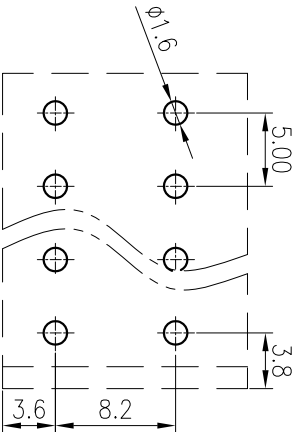


| 公差/差 (General Tolerances)(mm) | | 公差/差 (General Tolerances)(mm) | |
|-------------------------------|--------|-------------------------------|--------|
| 0 | >3 | >50 | >120 |
| ~3 | ~6 | ~80 | ~180 |
| 6 | 10 | 120 | 250 |
| ~18 | ~30 | ~315 | ~400 |
| ~26 | ~50 | ~500 | ~500 |
| ±0.12 | ±0.22 | ±0.31 | ±0.37 |
| ±0.26 | ±0.31 | ±0.37 | ±0.43 |
| ±0.50 | ±0.63 | ±0.79 | ±1.00 |
| ±1.00 | ±1.25 | ±1.60 | ±2.00 |
| ±2.50 | ±2.50 | ±2.50 | ±2.50 |
| 0.1/10 | 0.1/10 | 0.1/10 | 0.1/10 |
| ±2° | ±2° | ±2° | ±2° |



PCB LAYOUT



| UL 标准/UL Standard: | B | C | D |
|--|--------------|--------|--------|
| 额定电压/电压/Rated Voltage(V)/Current(A) | 300/20 | / | 300/10 |
| EC 标准/EC Standard: | | | |
| 过压类别/Overvoltage Category/污秽等级/ Pollution Degree | III/3 | III/2 | II/2 |
| 额定电压/电压/Rated Voltage(V)/Current(A) | 320/32 | 400/32 | 630/32 |
| 额定脉冲电压(KV)/Rate Impulse Voltage(KV) | 4 | 4 | 4 |
| 线径范围(硬线和软线)/Wire Range(rigid and flexible)(mm ² /AWG) | 0.2~4/24~12 | | |
| 可焊/Pitch(mm)/线数范围/Poles | 5.0/N=01~12P | | |
| 剥线长度/Stripping length(mm) | 9~11 | | |
| 使用温度范围/Operating temperature(°C) | -40~+105 | | |
| 符合RoHS环保要求/Conform to RoHS | Yes | | |

SURFACE: /

MATERIAL: /

MAT NO: /

STATUS: /

APPD: Lan CHH 2021.04.30

CHKD: Yu JZh 2021.04.30

DRAFT: ChenZ 2019.09.21

DEGSON 宁波高松电子有限公司
NINGBO DEGSON ELECTRICAL CO., LTD

NAME: DG2204V-5.0-XXP-1Y-00A(H)

DRAWING NO.: 10000431

TYPE: CUSTOMER DRAWING

SCALE: 2:1 SHEET 1/1

| REV | ECN | DESCRIPTION | DRAFT | DATE |
|------|----------|----------------------|---------|------------|
| (T1) | 20210084 | Add the UL lettering | Chen Zh | 2021.04.30 |