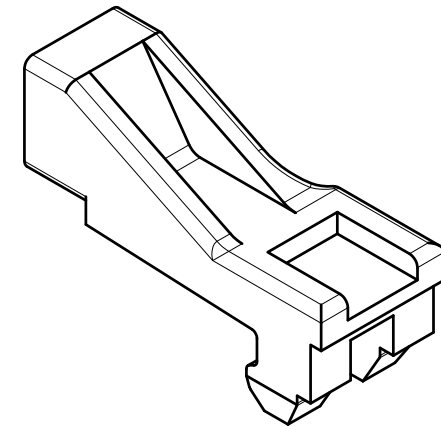
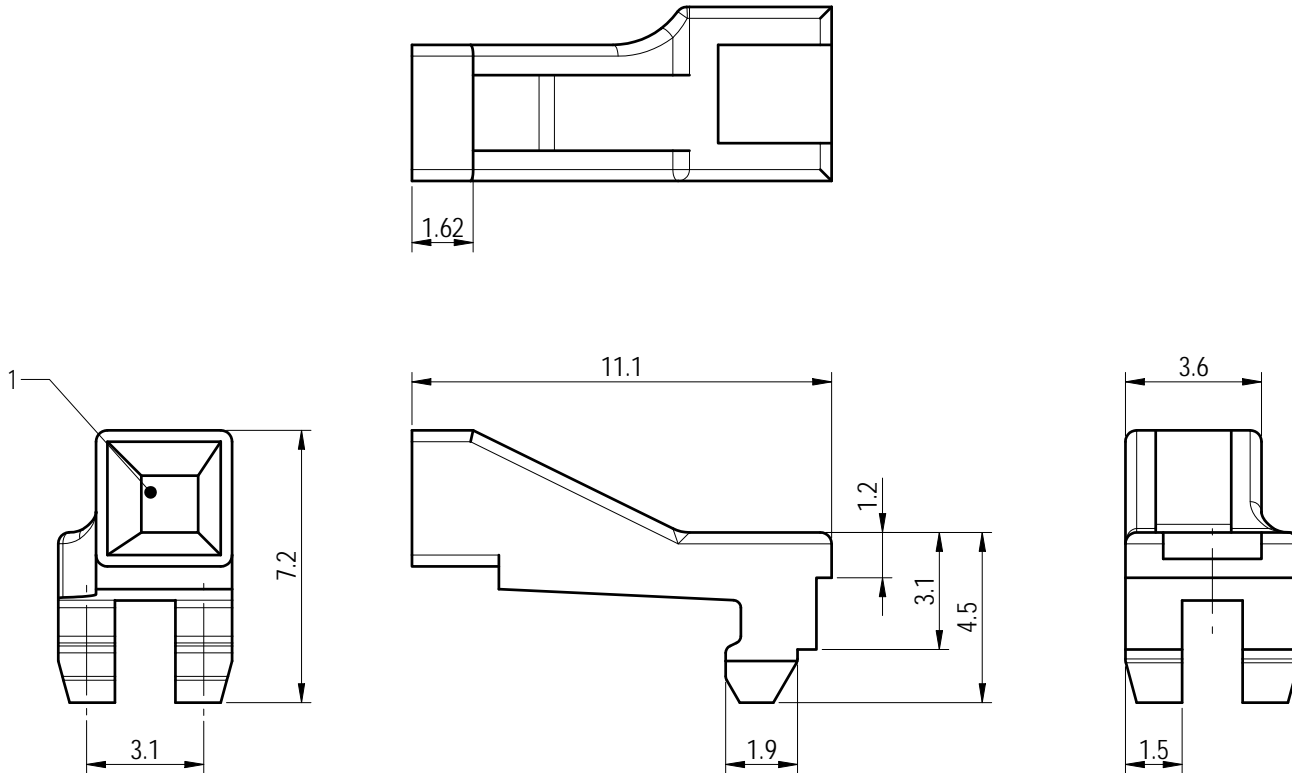


未注公差/General tolerances (mm)													0.1/10 ±2'
0 ~ 3	>3 ~ 6	>6 ~ 10	>10 ~ 18	>18 ~ 30	>30 ~ 50	>50 ~ 80	>80 ~ 120	>120 ~ 180	>180 ~ 250	>250 ~ 315	>315 ~ 400	>400 ~ 500	
±0.12	±0.18	±0.22	±0.26	±0.31	±0.37	±0.57	±0.80	±0.93	±1.05	±1.15	±1.60	±2.20	±2.50

Transfer or duplication of this document as well as the utilization or communication of its content are prohibited unless authorized in writing by DEGSON. All rights reserved for patent, utility model or design registrations. 除专利等明确标注外, 未经许可, 不得复制或传播。 未经授权, 不得复制或传播。 未经授权, 不得复制或传播。



Note:  
The A&Z(H) in the name means: A(H) and Z(H).

ITEM	NAME OF PART	MATERIAL	NOTES
1	Housing	PA66	UL94V-0

使用温度范围/Operating temperature(°C)	-40~+105
符合RoHS环保要求/Conform to RoHS	Yes

<b>DEGSON</b>		MATERIAL:	SURFACE/COLOR:
APPD: 兰春华	2023.03.02	MAT NO./REV:	/ 00
CHKD: 陈招	2023.02.27	MAT STATUS: 批量	
DRFT: 龚徐涛	2023.02.27	NAME	
DG015-01P-1Y-01A&Z(H)			
DRAWING NO.	TYPE	DRAWING STATUS	SCALE
200029511	CUSTOMER DRAWING	已发布	5:1
SHEET		1/1	

REV	ECN	DESCRIPTION	DRFT	DATE
00			龚徐涛	2023.02.27