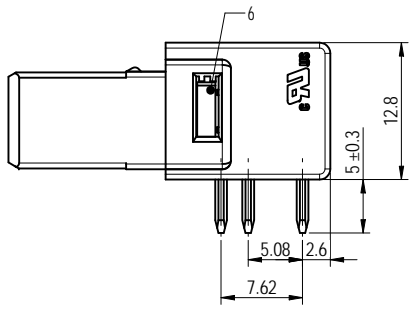
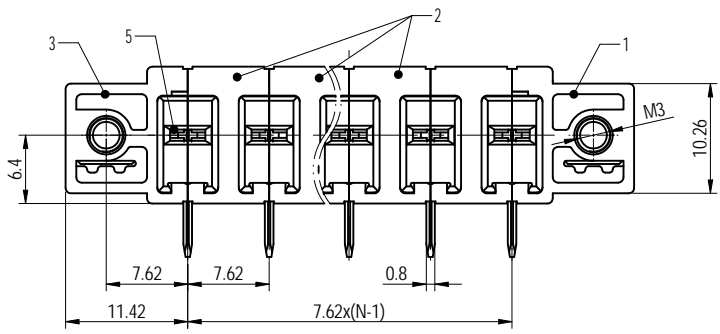
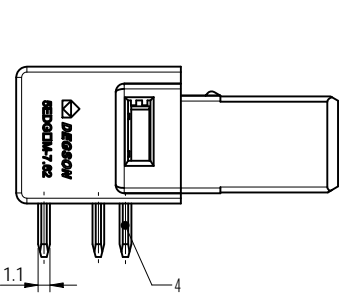
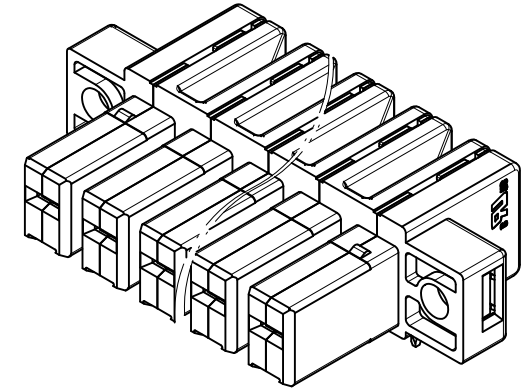
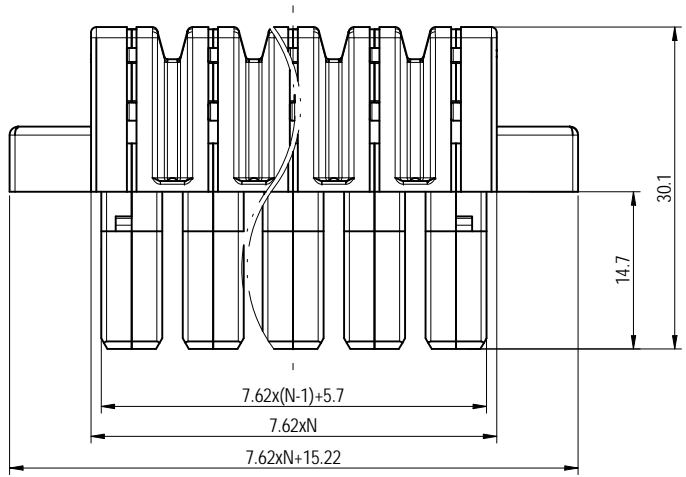


公差/General tolerances (mm)											D			
0	>3	>6	>10	>18	>30	>50	>80	>120	>180	>250	>315	>400	>500	0.1/10
~3	~6	~10	~18	~30	~50	~80	~120	~180	~250	~315	~400	~500	~500	N
±0.12	±0.18	±0.22	±0.26	±0.31	±0.37	±0.57	±0.80	±0.93	±1.05	±1.15	±1.60	±2.20	±2.50	±2



ITEM	NAME OF PART	MATERIAL	NOTES
6	Nut	Steel	M3/Zn Plated
5	Spring	Stainless steel	/
4	Clamp	Copper alloy	Sn Plated
3	Side Housing2	PA66	UL94V-0
2	Mid Housing	PA66	UL94V-0
1	Side Housing1	PA66	UL94V-0

UL 标准/UL Standard:	B	C	D
额定电压/电压/Rated Voltage(V)/Current(A)	300/41	300/41	600/5
IEC 标准/IEC Standard:			
过压类别/Overvoltage Category/污染等级/Pollution Degree	III/3	III/2	II/2
额定电压/电压/Rated Voltage(V)/Current(A)	630/41	800/41	1000/41
额定脉冲电压(KV)/Rate Impulse Voltage(KV)	6	6	6
螺丝扭矩/Torque Tightening(N.m/L bin)	M3: 0.9/7.9		
间距/Pitch(mm)/线数范围/Poles	7.62/N=02~12P		
使用温度范围/Operating temperature(°C)	-40~+105		
符合RoHS环保要求/Conform to RoHS	Yes		

	MATERIAL:	SURFACE/COLOR:
	MAT NO./REV: - / 00	MAT STATUS: 批量

APPD: 兰春华	2023.09.01	NAME	5EDGAM-7.62-XXP-1Y-200Z(H)			
CHKD: 袁耀志	2023.09.01	DRAWING NO.	TYPE	DRAWING STATUS	SCALE	SHEET
DRFT: 周伟德	2023.08.31	200021501	CUSTOMER DRAWING	已发布	1:1	1/1

REV	ECN	DESCRIPTION	DRFT	DATE
00			周伟德	2023.08.31

Transfer or duplication of this document as well as the utilization of its contents without the written consent of DEGSON is prohibited. All rights reserved for patent. 复制或再行发布此文件以及在没有 DEGSON 书面同意的情况下使用其内容均被禁止。所有权利保留。如有侵权，本公司将依法追究法律责任。