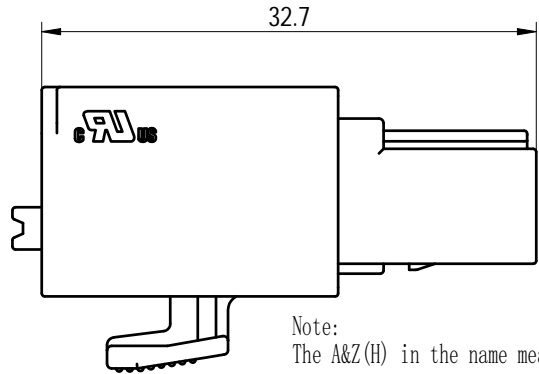
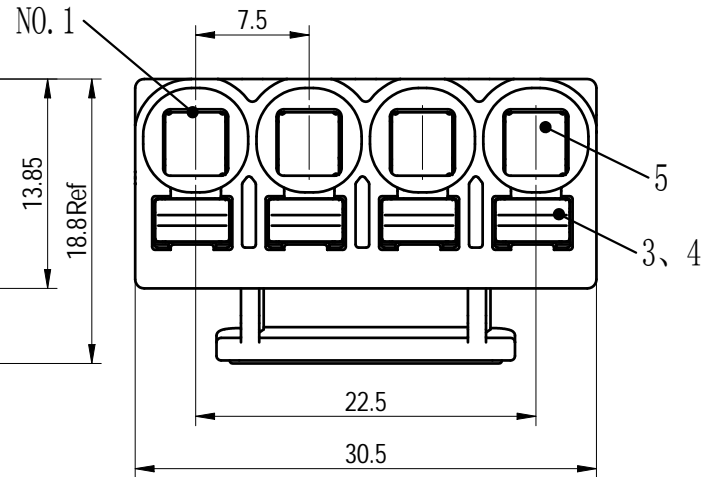
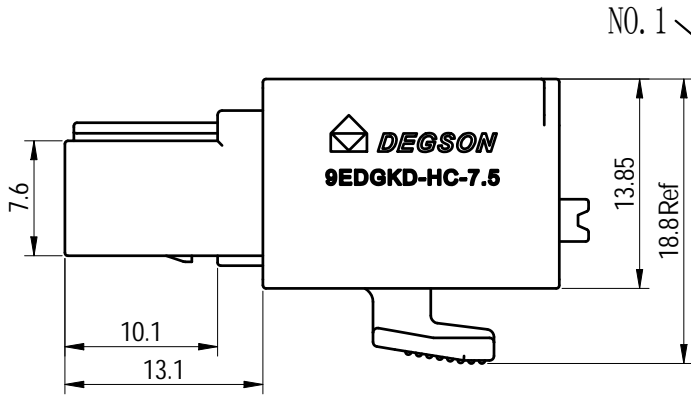


未注公差/General tolerances (mm)													0.1/10
0	>3	>6	>10	>18	>30	>50	>80	>120	>180	>250	>315	>400	
~3	~6	~10	~18	~30	~50	~80	~120	~180	~250	~315	~400	~500	>500
±0.12	±0.18	±0.22	±0.26	±0.31	±0.37	±0.57	±0.80	±0.93	±1.05	±1.15	±1.60	±2.20	±2.50

UL 标准/UL Standard:	B	C	F
额定电压/电流/Rated Voltage(V)/Current(A)	600/25	600/25	630/25
IEC 标准/IEC Standard:			
过压类别/Overvoltage Category/污染等级/Pollution Degree	III/3	III/2	II/2
额定电压/电流/Rated Voltage(V)/Current(A)	630/25	800/25	1000/25
额定脉冲电压(KV)/Rate Impulse Voltage(KV)	6	6	6
线径范围(硬线和软线)/Wire Range(rigid and flexible)(AWG/mm ²)	18~10 / 1.0~6.0		
间距/Pitch(mm)/线数范围/Poles	7.5/N=04P		
剥线长度/Stripping length(mm)	12		
使用温度范围/Operating temperature(°C)	-40~+105		
符合RoHS环保要求/Conform to RoHS	Yes		



Note:
The A&Z(H) in the name means: A(H) and Z(H).

ITEM	NAME OF PART	MATERIAL	NOTES
5	Spring	Stainless steel	/
4	Button	PA66+GF	UL94V-0
3	Clamp	Copper alloy	Sn Plated
2	Cover	PA66+GF	UL94V-0
1	Housing	PA66	UL94V-0

DEGSON		MATERIAL:	SURFACE/COLOR: Button:PANTONE 1505U		
APPD: 兰春华 2023.08.22		MAT NO./REV:	/ 00 MAT STATUS: 批量		
CHKD: 龚耀志 2023.08.22		NAME			
DRFT: 龚耀志 2023.08.22		9EDGKD-HC-7.5-04P-1Y-00A&Z(H)			
00	REV	ECN	DESCRIPTION	DRFT	DATE
DRAWING NO. 200112144		TYPE	CUSTOMER DRAWING	DRAWING STATUS	SCALE 2:1
A4				已发布	SHEET 1/1

Transfer or duplication of this document as well as the utilization or communication of its content are prohibited unless authorized in writing by DEGSON. All rights reserved for patent. 除专利号明确标注外，其他内容均受版权保护。未经授权，不得复制或传播。 0.1/10